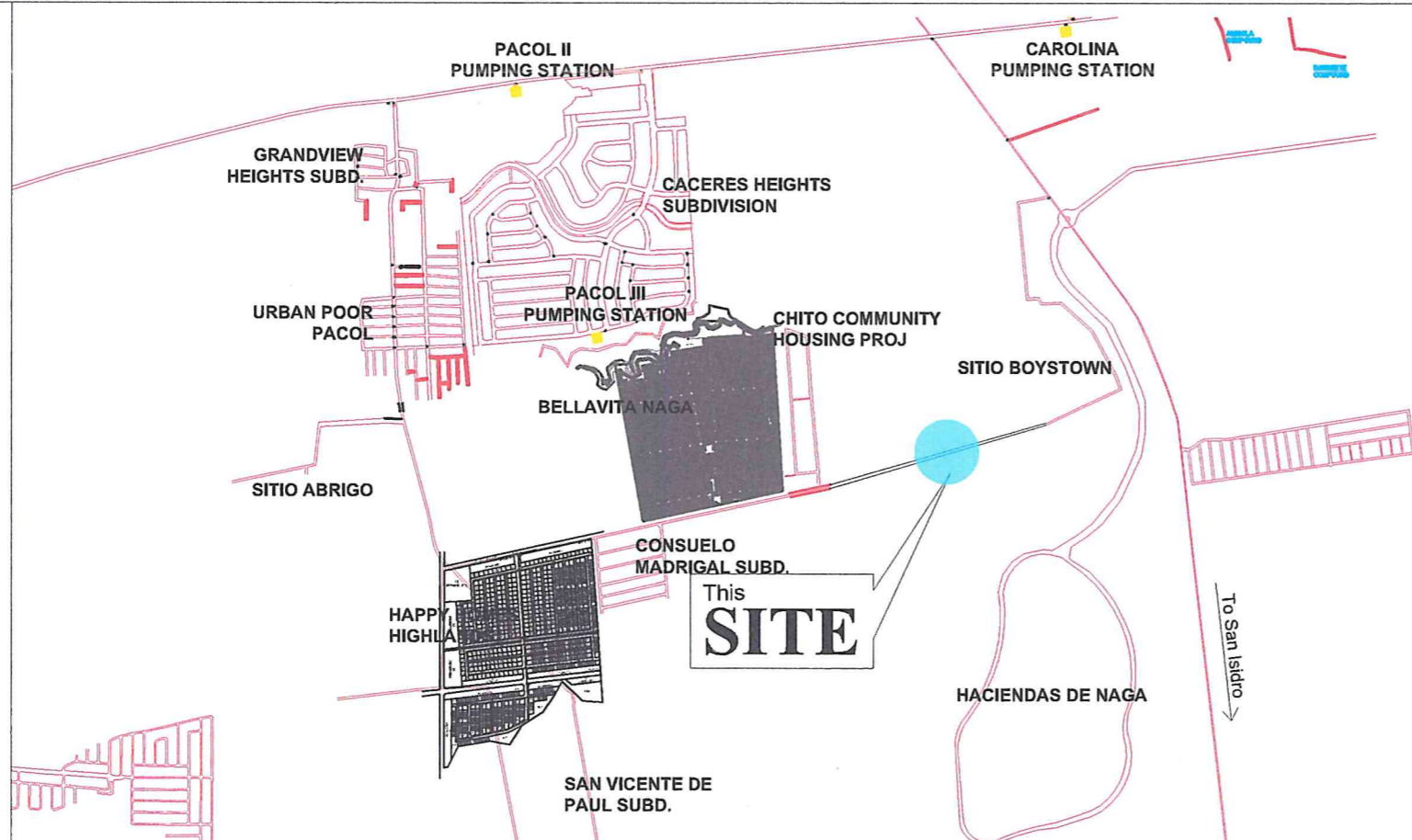


⊖ PERSPECTIVE

NOT TO SCALE



⊖ VICINITY MAP

NOT TO SCALE

LINE AND GRADE

LINE USE AND ZONING

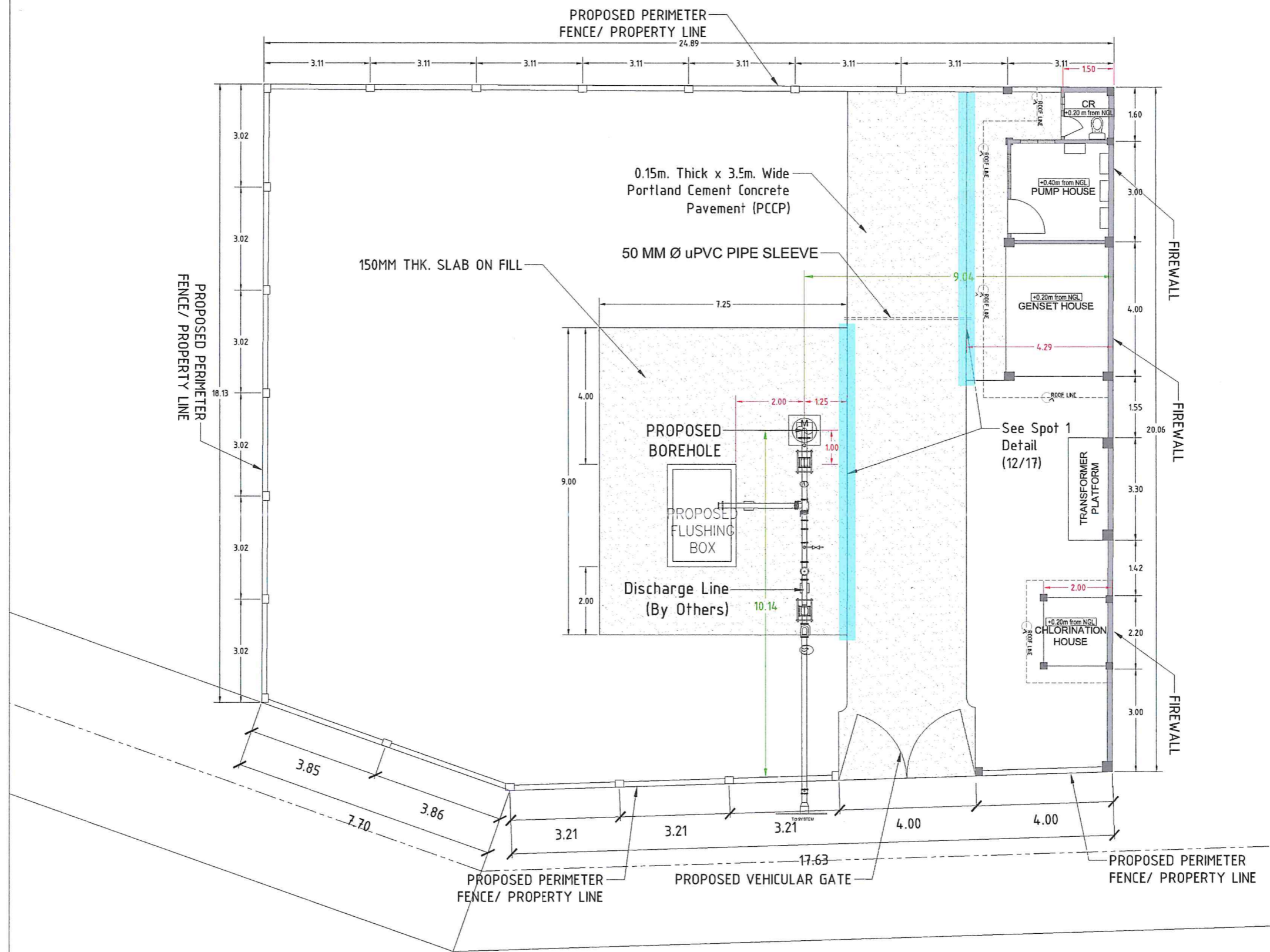
ARCHITECTURAL

STRUCTURAL

SANITARY

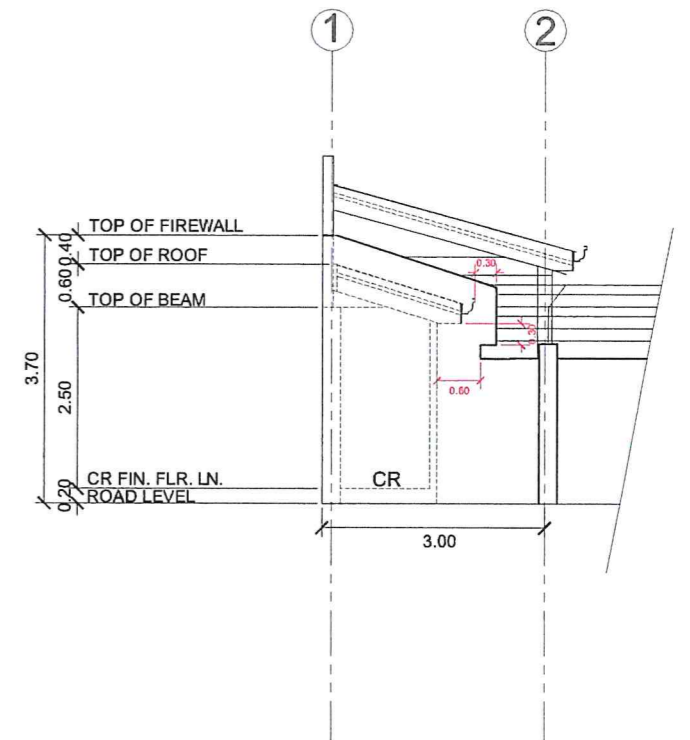
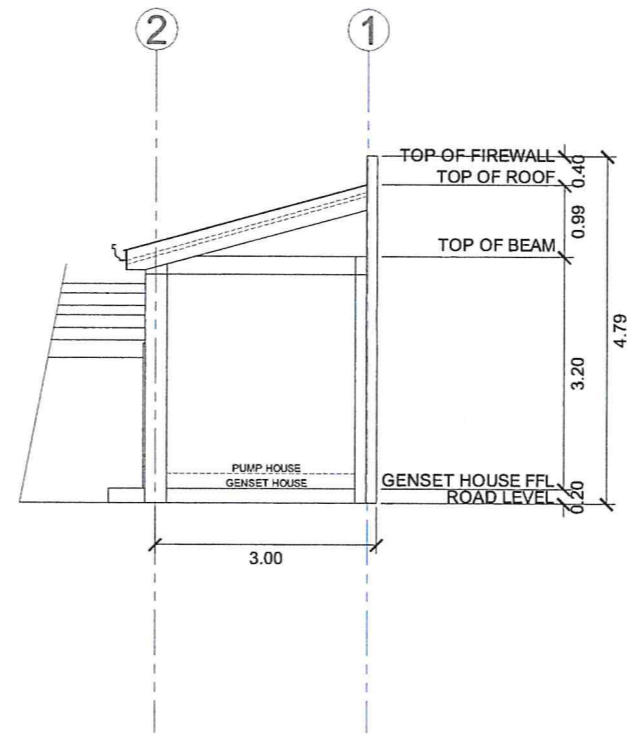
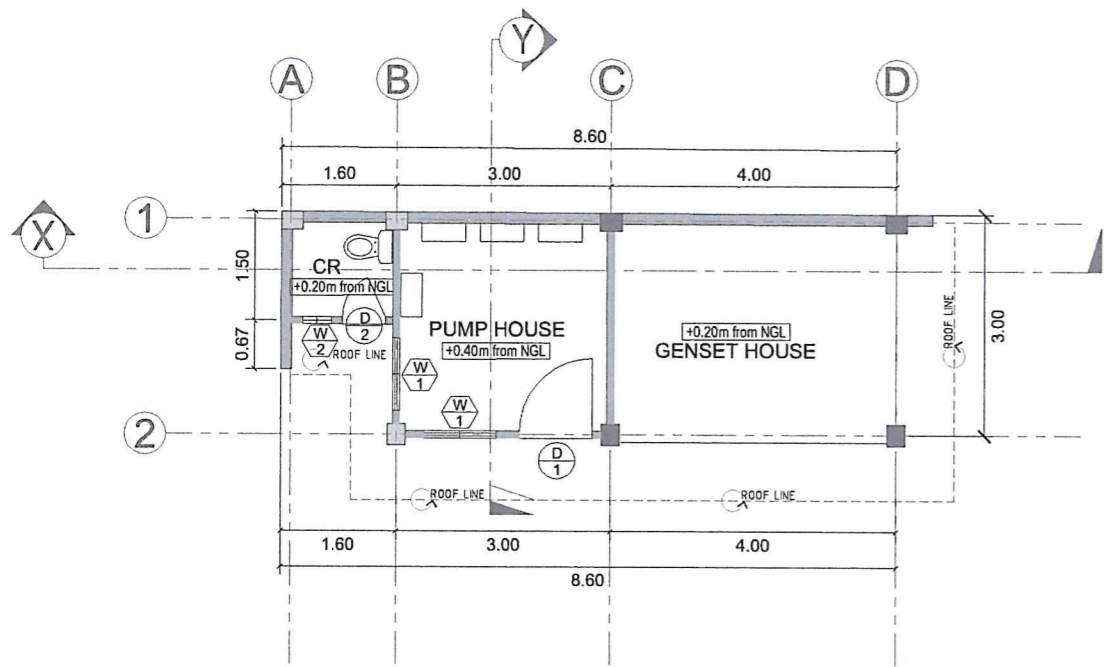
ELECTRICAL

MECHANICAL



⊕ SITE DEVELOPMENT PLAN

SCALE 1 : 125 MTS.



FLOOR PLAN

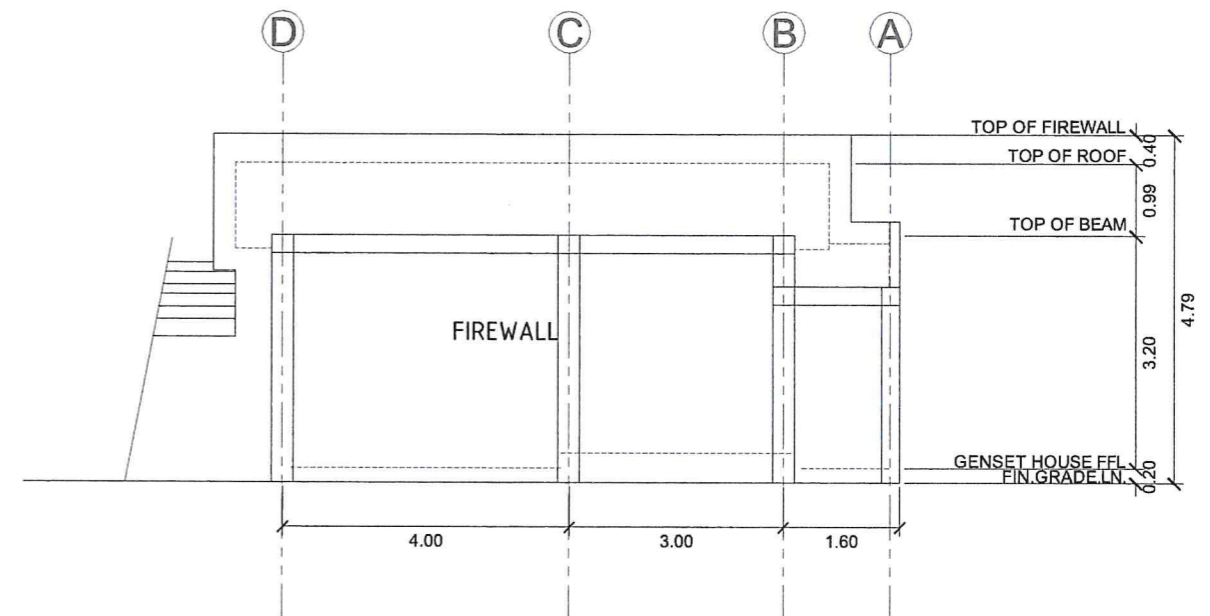
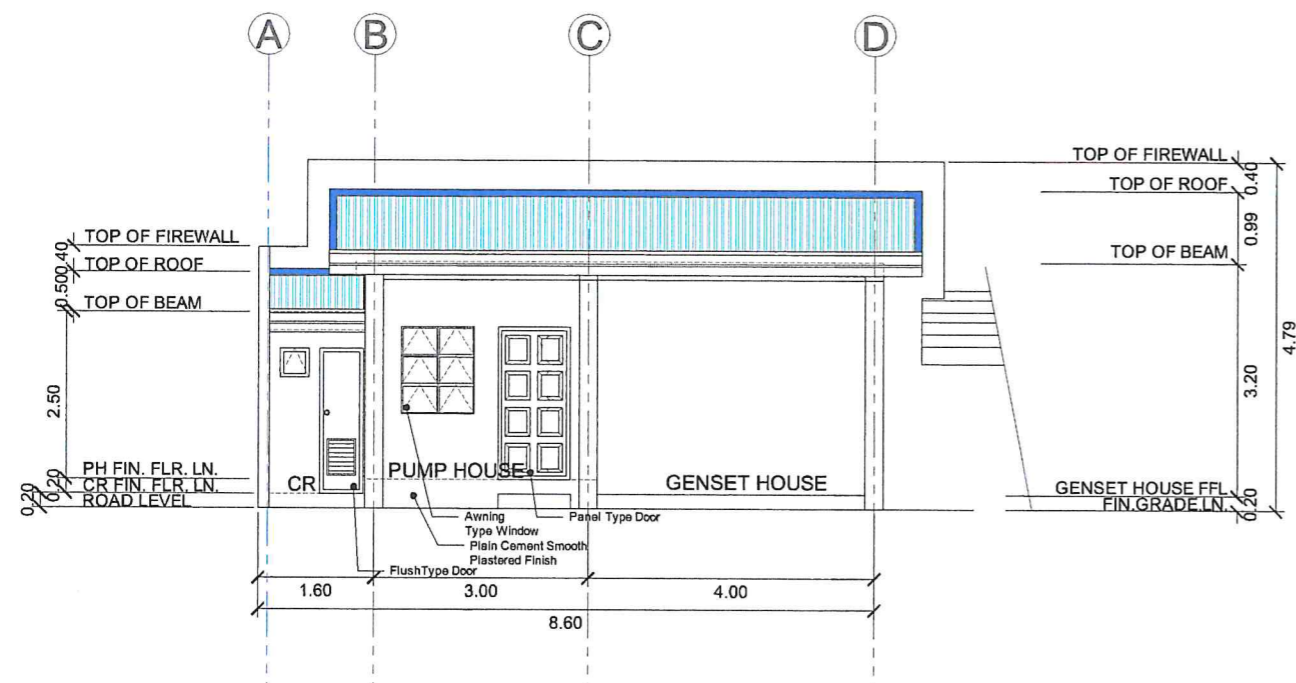
SCALE 1 : 100 MTS.

RIGHTSIDE ELEVATION

SCALE 1 : 100 MTS.

LEFTSIDE ELEVATION

SCALE 1 : 100 MTS.

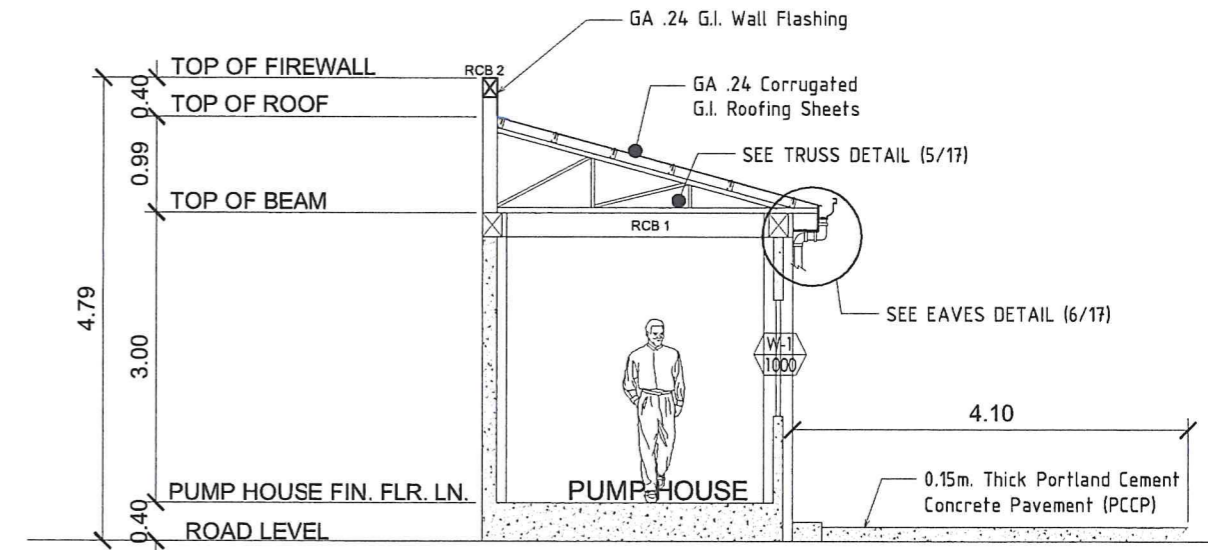
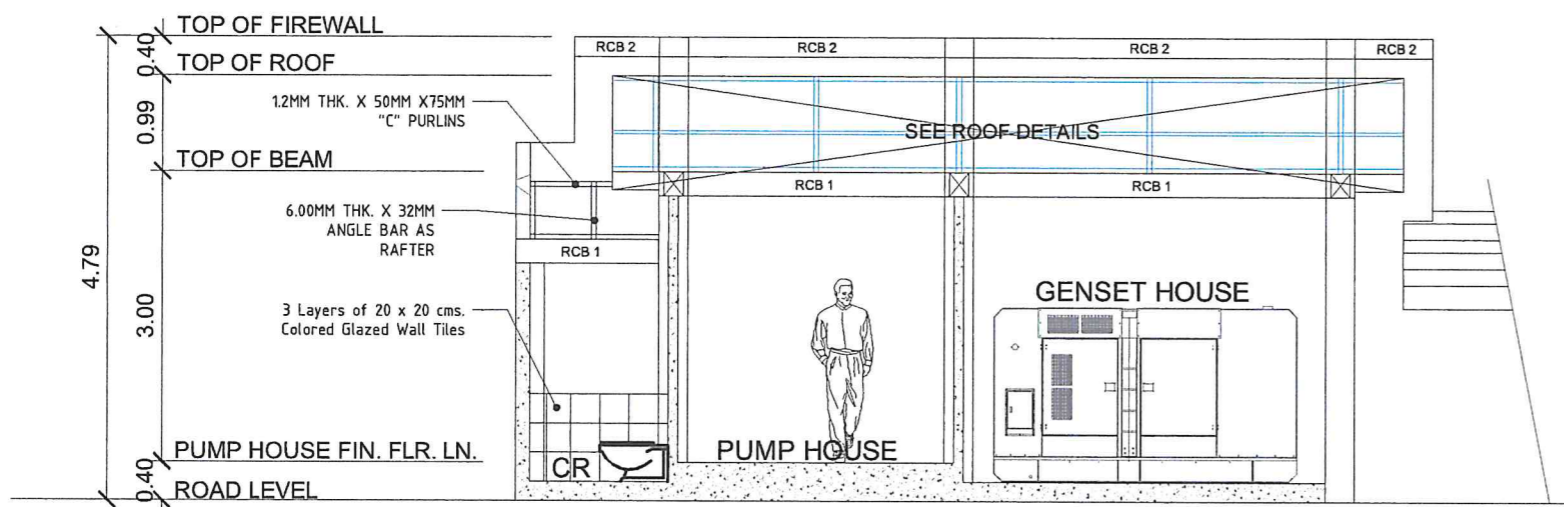


FRONT ELEVATION

SCALE 1 : 100 MTS.

REAR ELEVATION

SCALE 1 : 100 MTS.

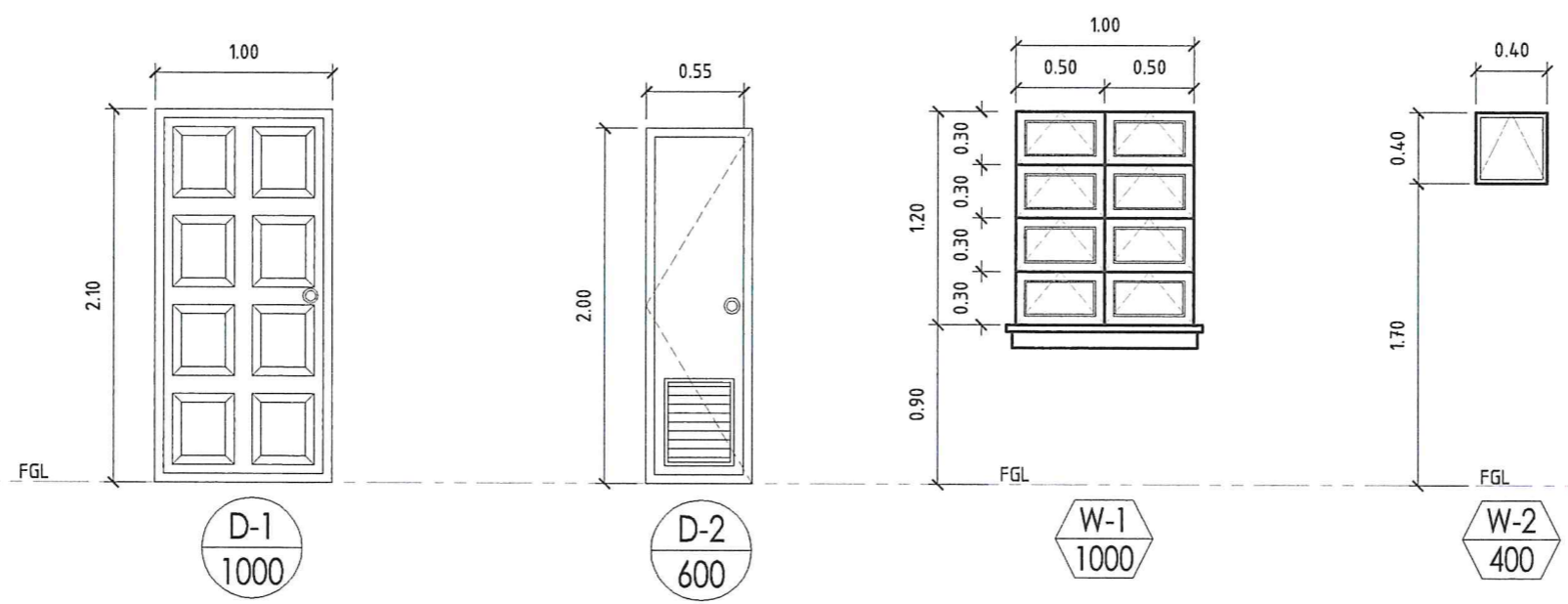


SECTION THRU X' - X''

SCALE 1 : 75 MTS.

SECTION THRU X' - X''

SCALE 1 : 75 MTS.



| | |
|----------|------------|
| TYPE | PANEL DOOR |
| QTY. | 1 SET |
| LOCATION | PUMP ROOM |

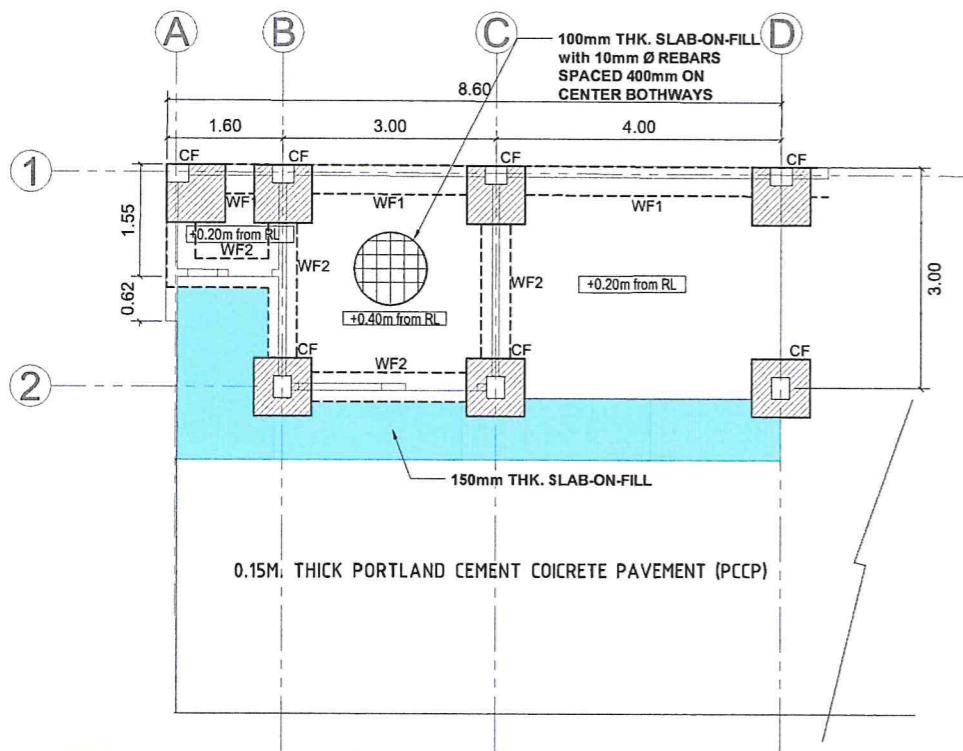
| | |
|----------|------------|
| TYPE | FLUSH DOOR |
| QTY. | 1 SET |
| LOCATION | TOILET |

| | |
|----------|--------------------|
| TYPE | AWNING TYPE WINDOW |
| QTY. | 2 SETS |
| LOCATION | PUMP ROOM |

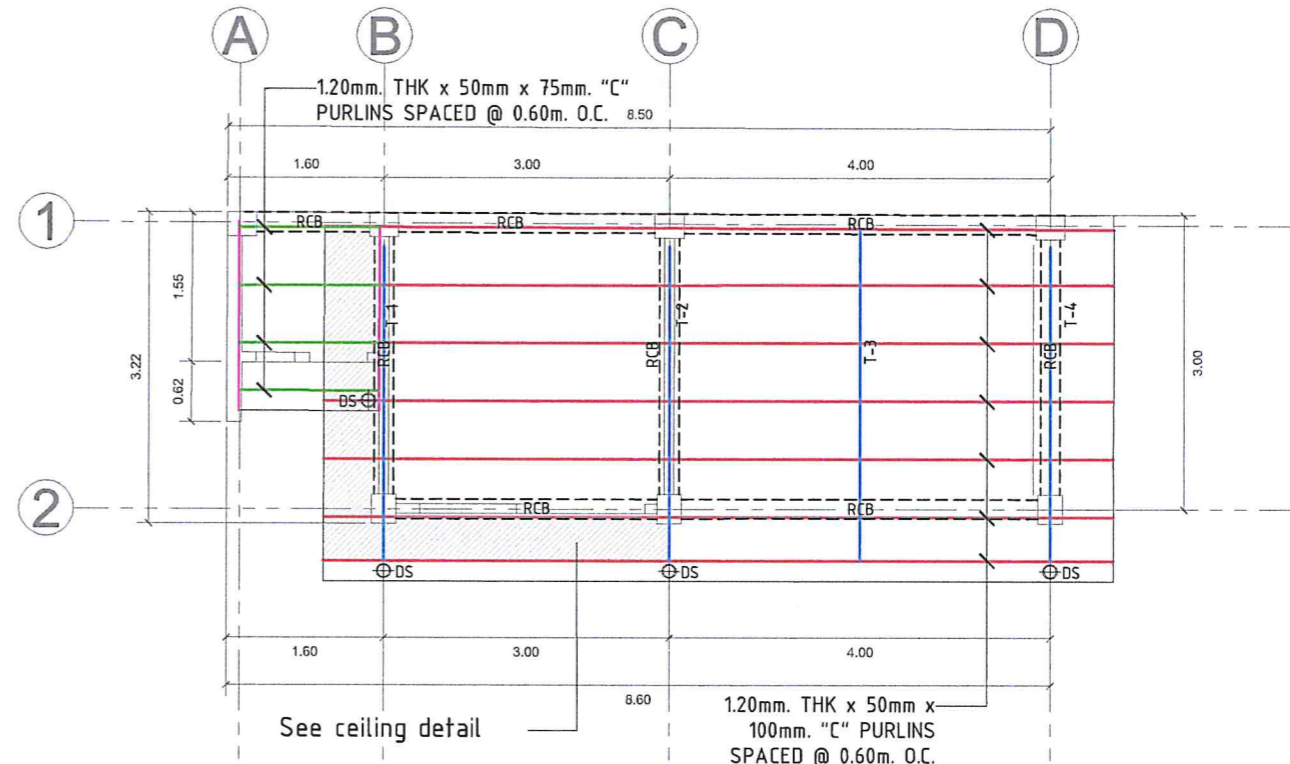
| | |
|----------|--------------------|
| TYPE | AWNING TYPE WINDOW |
| QTY. | 1 SET |
| LOCATION | COMFORT ROOM |

SCHEDULE OF DOORS AND WINDOWS

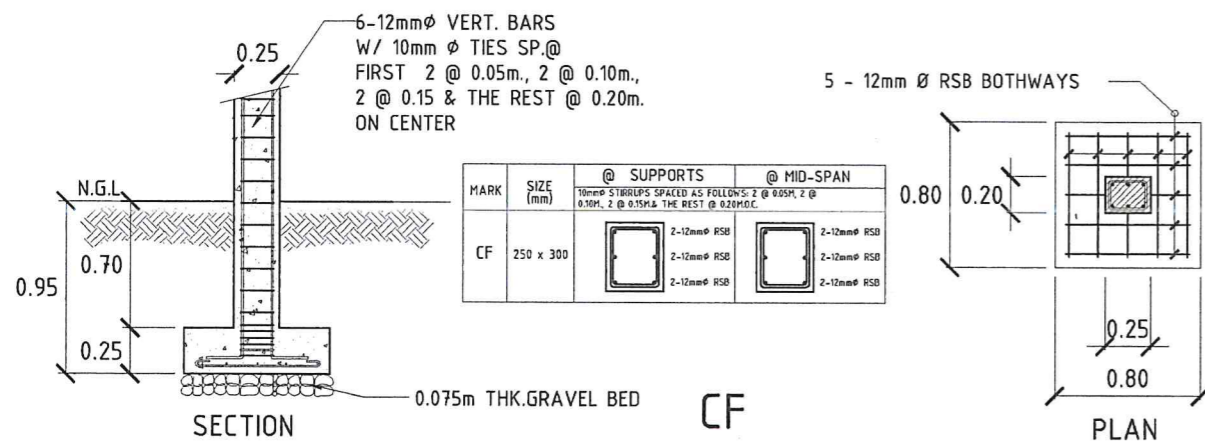
SCALE 1 : 40 MTS.



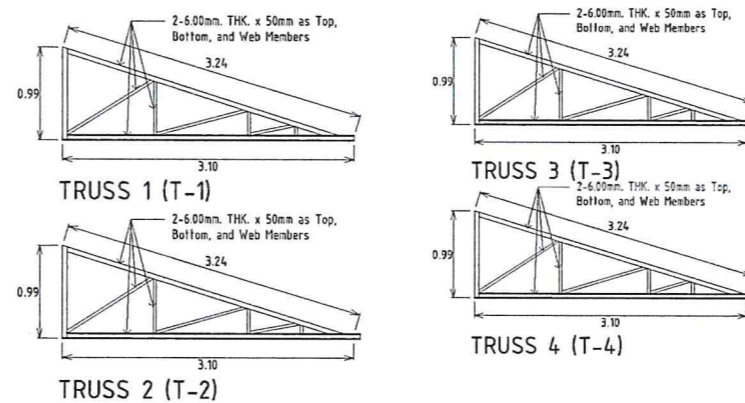
FOUNDATION PLAN SCALE 1 : 100 MTS.



ROOF FRAMING PLAN SCALE 1 : 75 MTS.



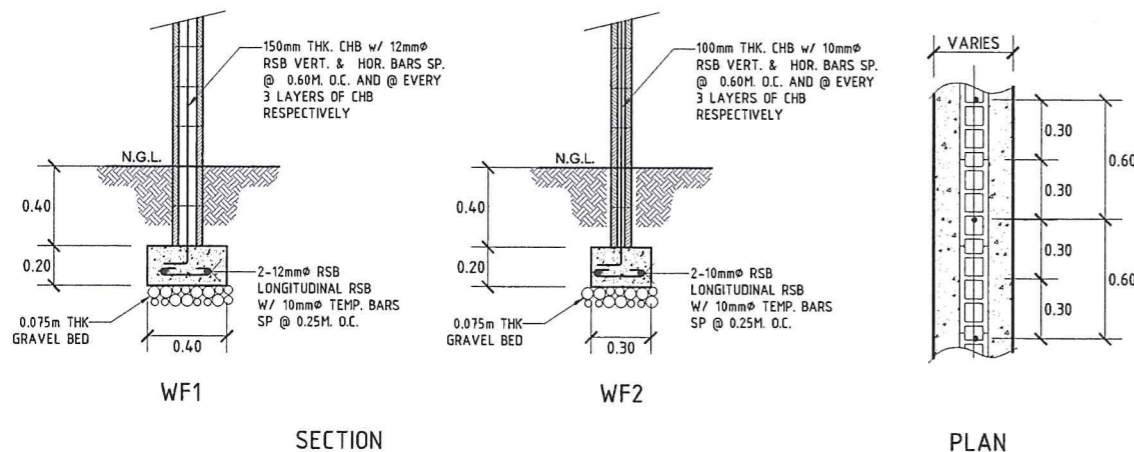
COLUMN/FOOTING DETAIL NOT TO SCALE



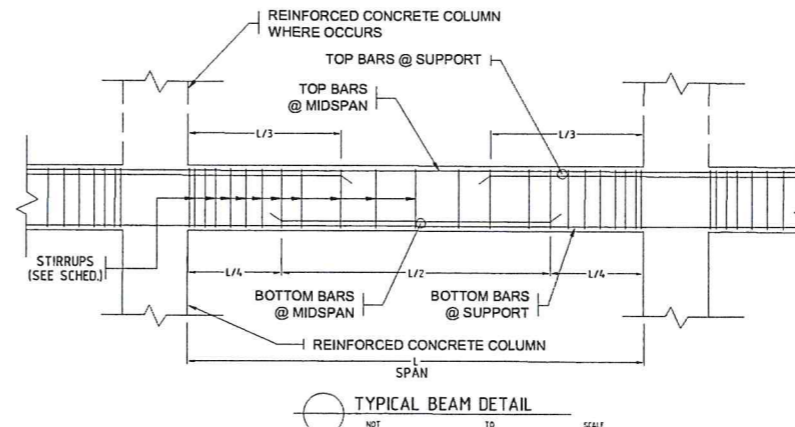
TRUSSES DETAIL NOT TO SCALE

| MARK | SIZE (mm) | @ SUPPORTS | | @ MID-SPAN | |
|-------|-----------|--|--------------|--------------|--------------|
| | | 10mm Ø STIRRUPS SPACED AS FOLLOWS: 2 @ 0.05M, 2 @ 0.10M, 2 @ 0.15M & THE REST @ 0.20M O.C. | | | |
| RCB 1 | 200 x 250 | 4-12mm Ø RSB | 2-12mm Ø RSB | 2-12mm Ø RSB | 4-12mm Ø RSB |
| RCB 2 | 200 x 150 | 1-12mm Ø RSB | 1-12mm Ø RSB | 1-12mm Ø RSB | 1-12mm Ø RSB |

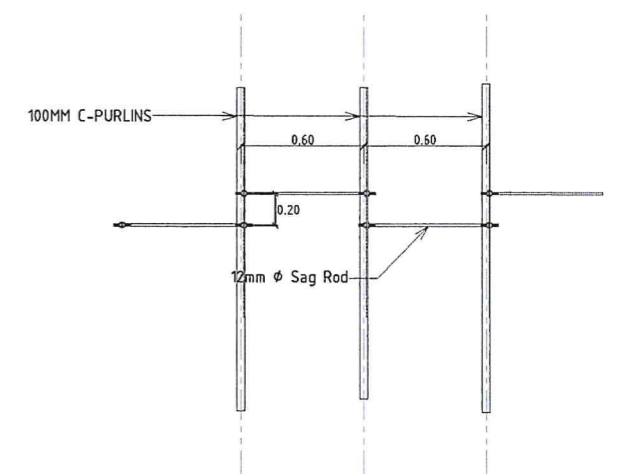
SCHEDULE OF BEAM NOT TO SCALE



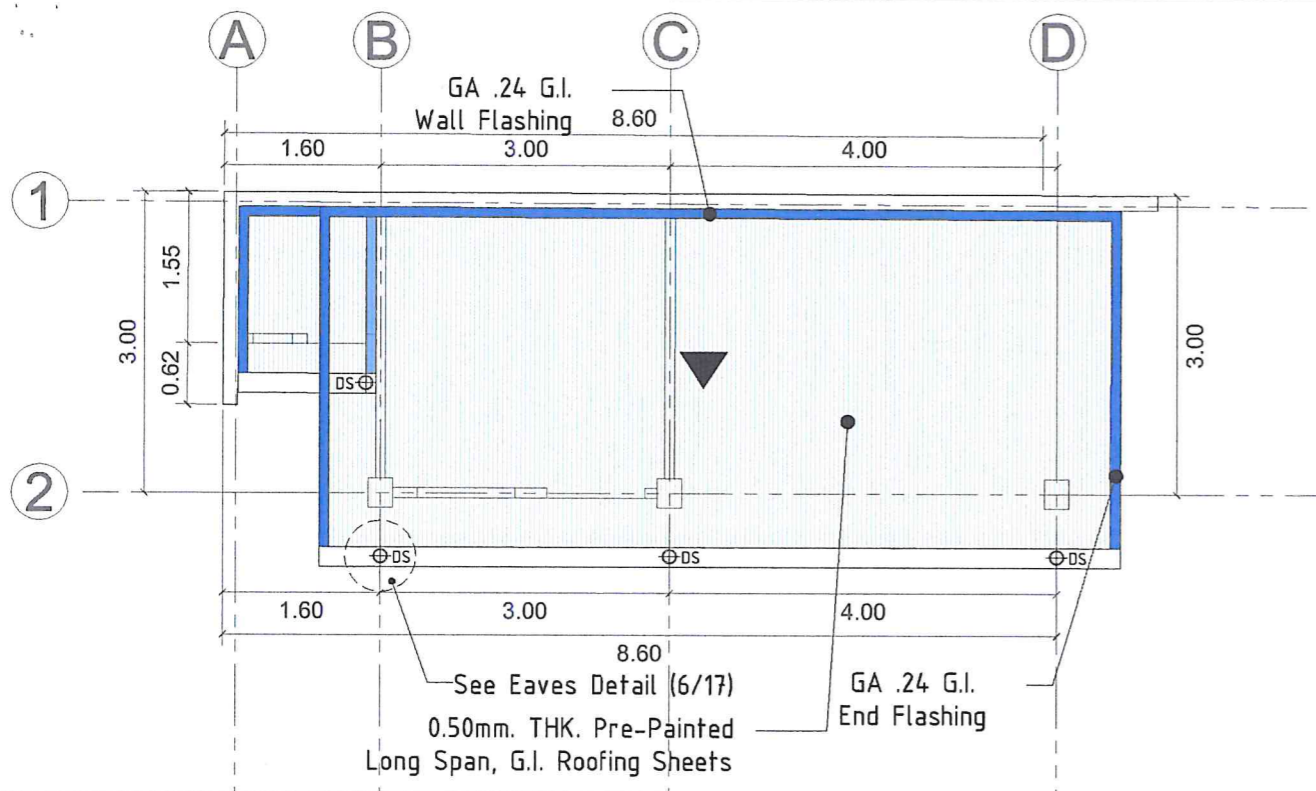
WALL FOOTING DETAIL NOT TO SCALE



TYPICAL BEAM DETAIL NOT TO SCALE

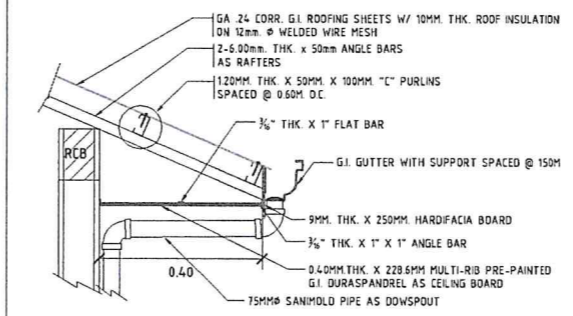


SAGROD DETAIL NOT TO SCALE

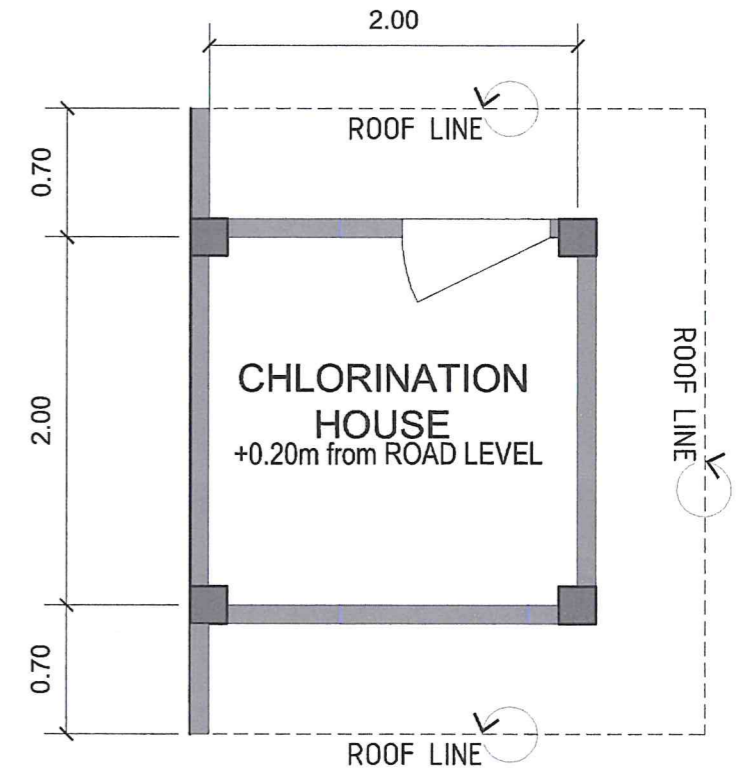


⊖ ROOF PLAN

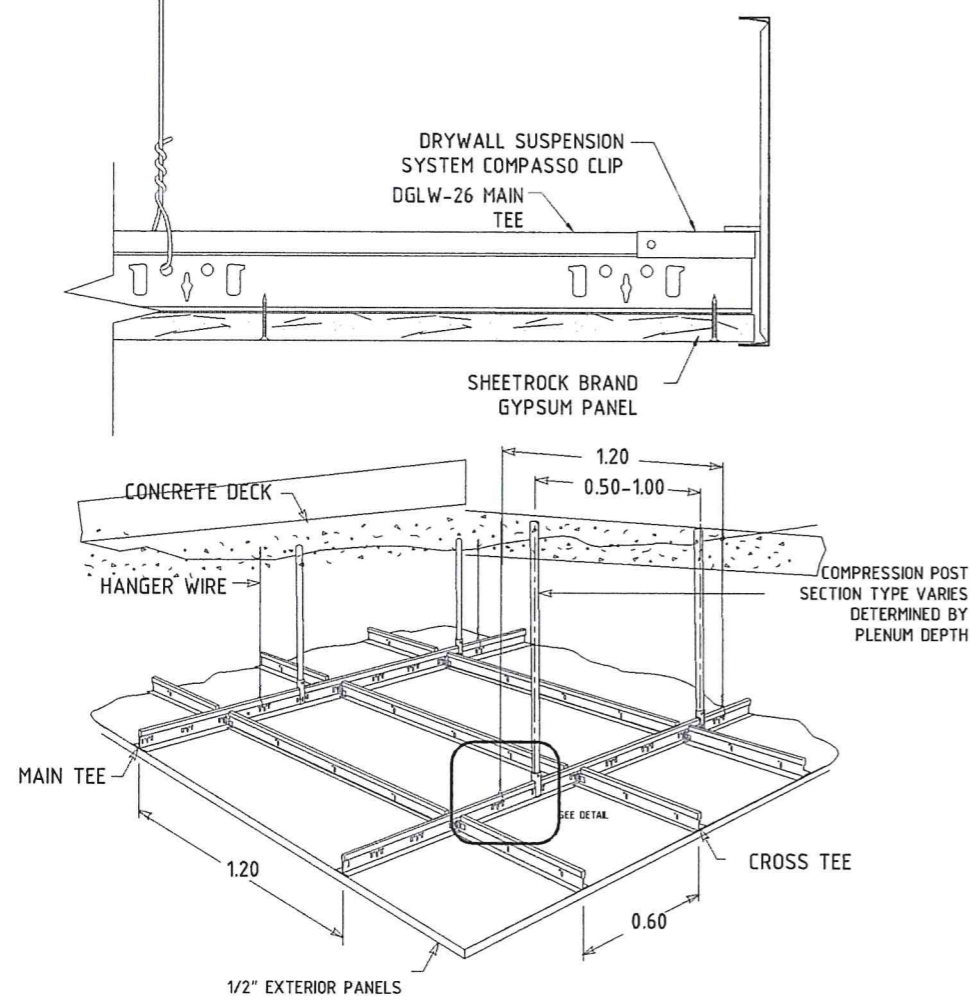
SCALE 1 : 75 MTS.



⊖ EAVES DETAIL NTS

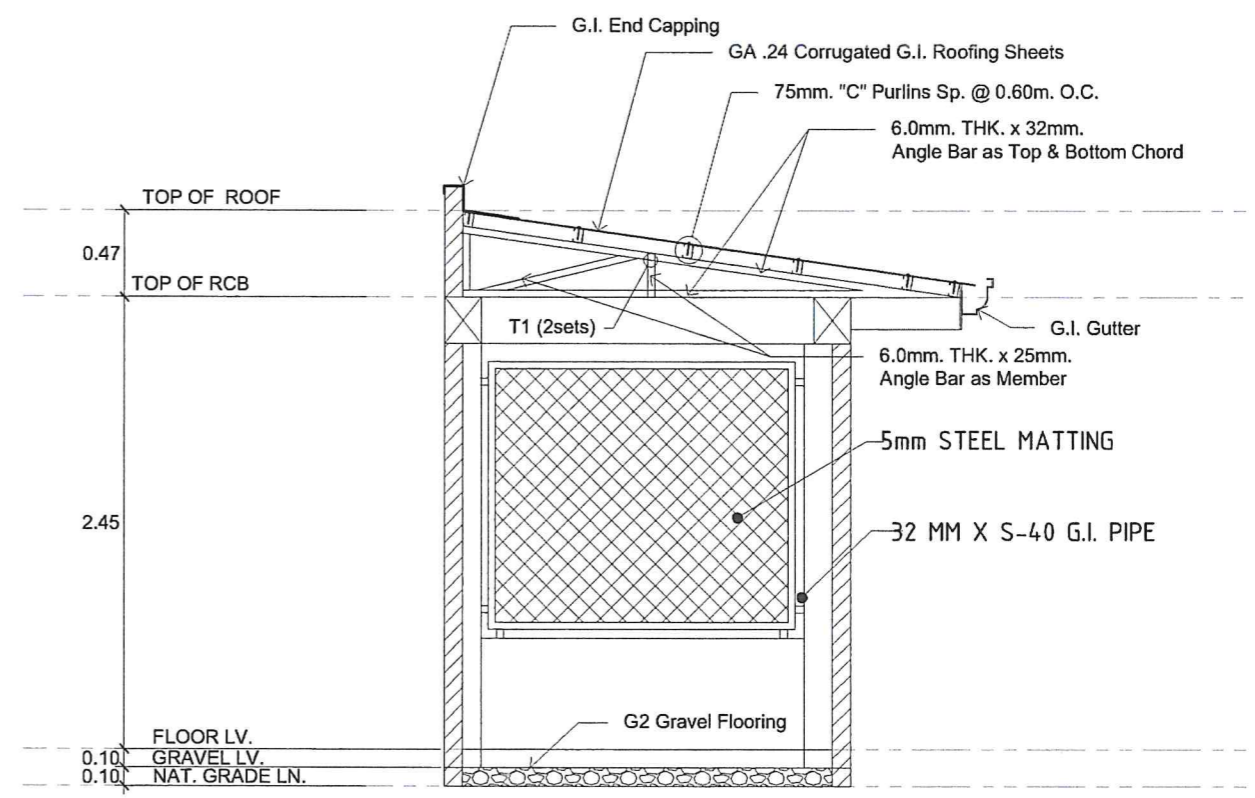


⊖ FLOOR PLAN (CHLORINATION HOUSE) SCALE 1 : 40 MTS.



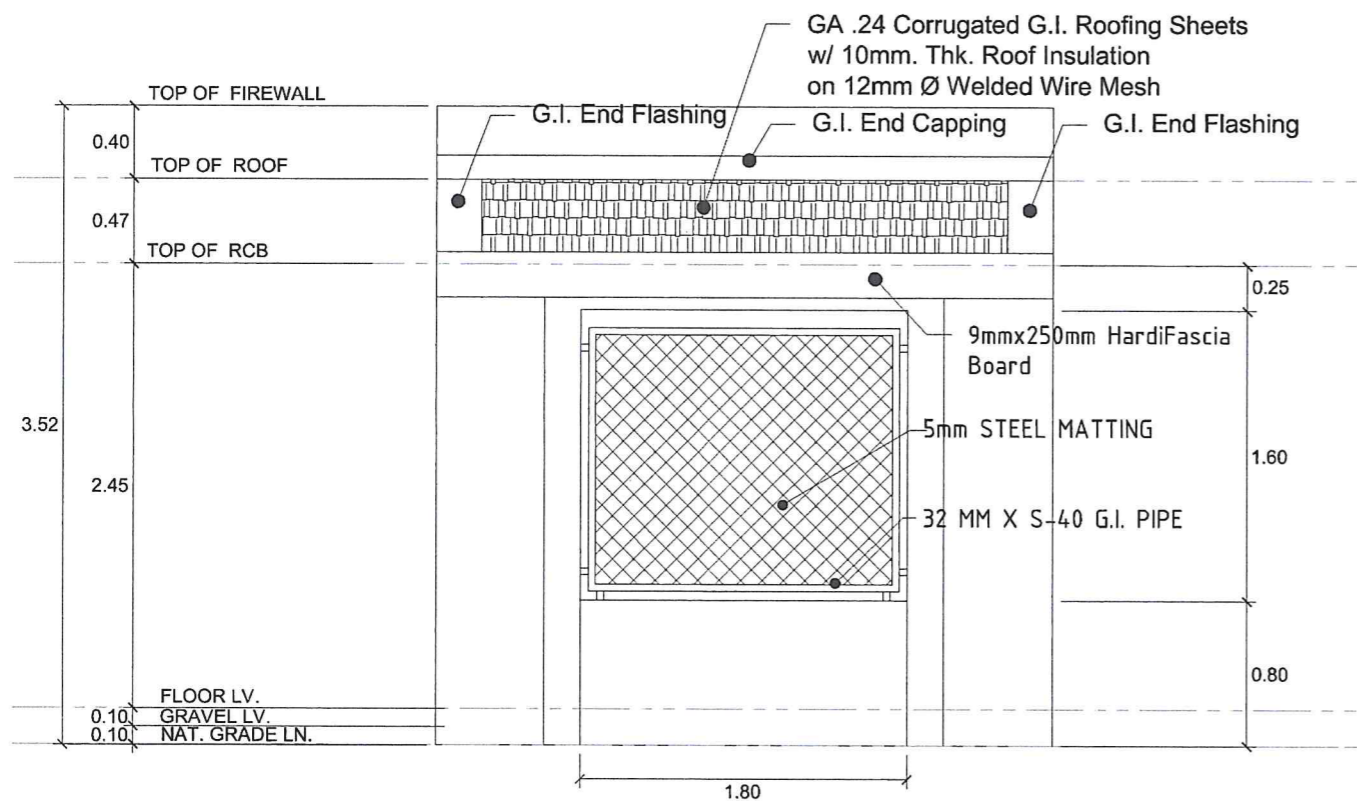
⊖ CEILING DETAIL

NOT TO SCALE



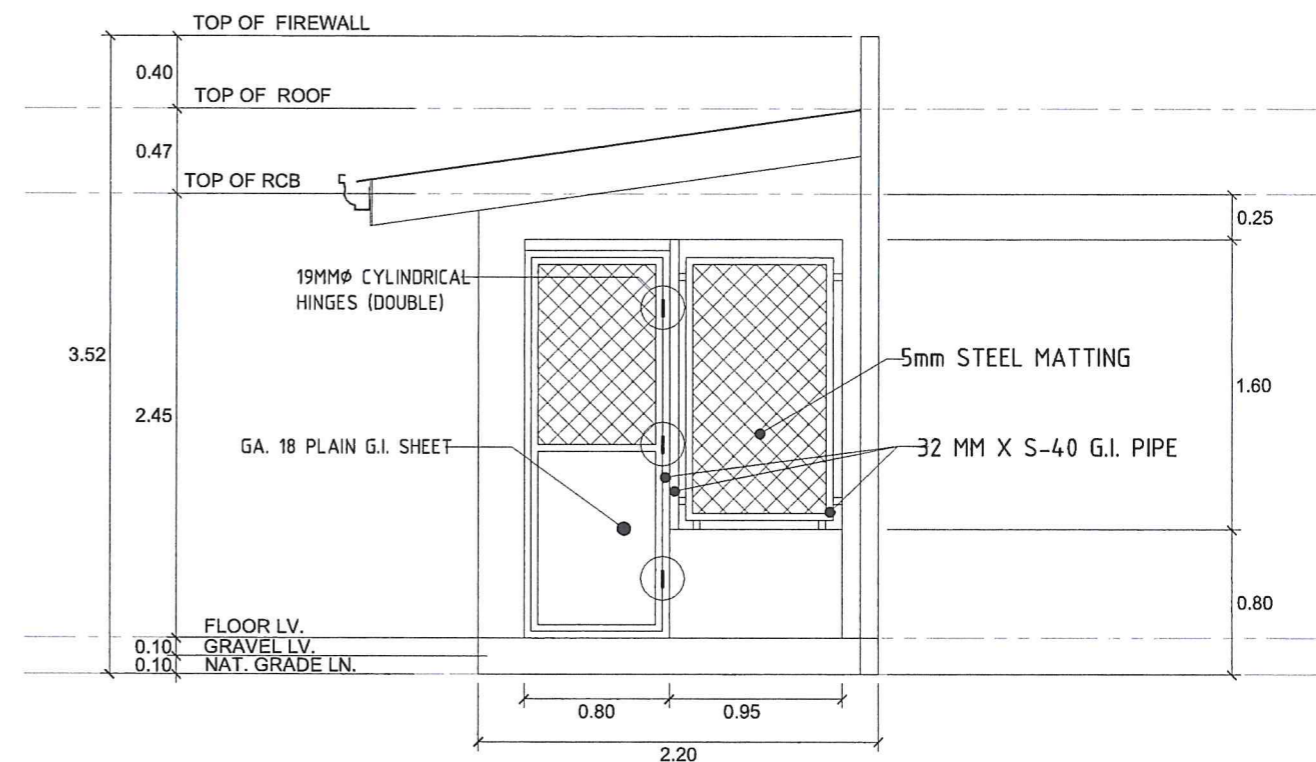
⊖ CROSS SECTION DETAIL

SCALE 1 : 40 MTS.



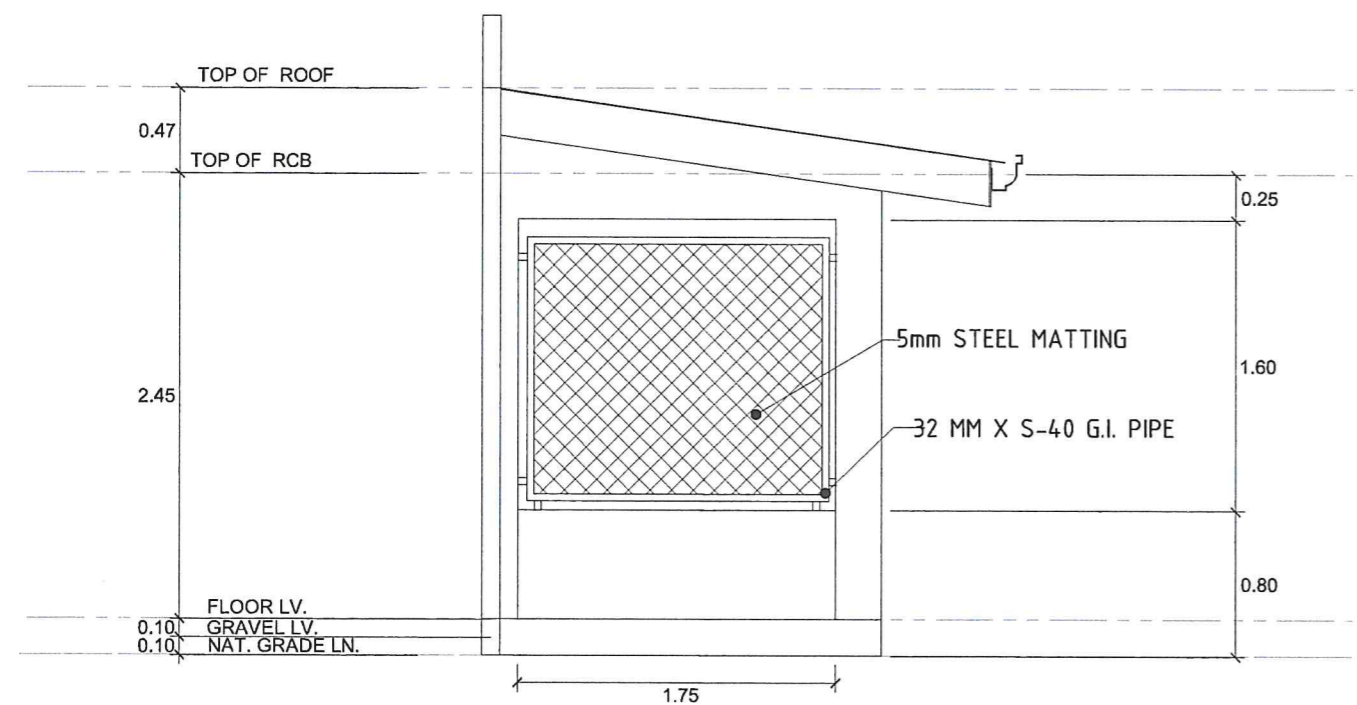
⊖ FRONT ELEVATION (CHLORINATION HOUSE)

SCALE 1 : 40 MTS.



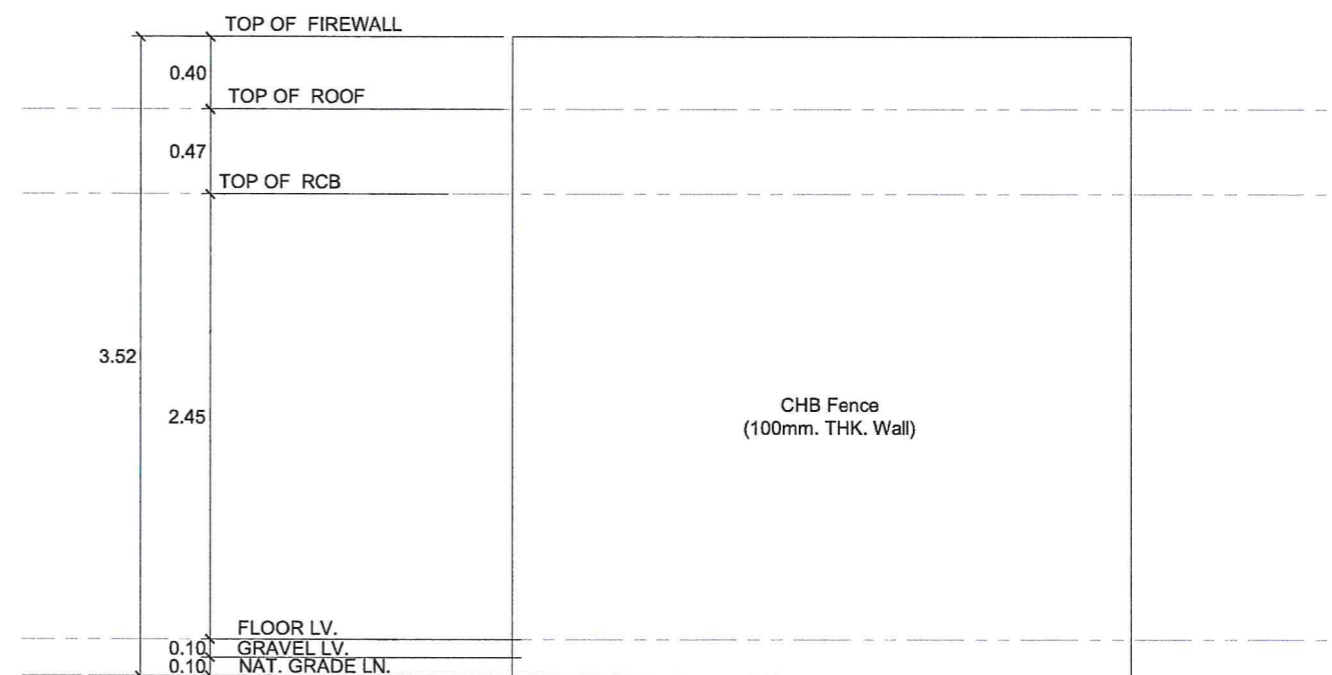
⊖ RIGHTSIDE ELEVATION

SCALE 1 : 40 MTS.



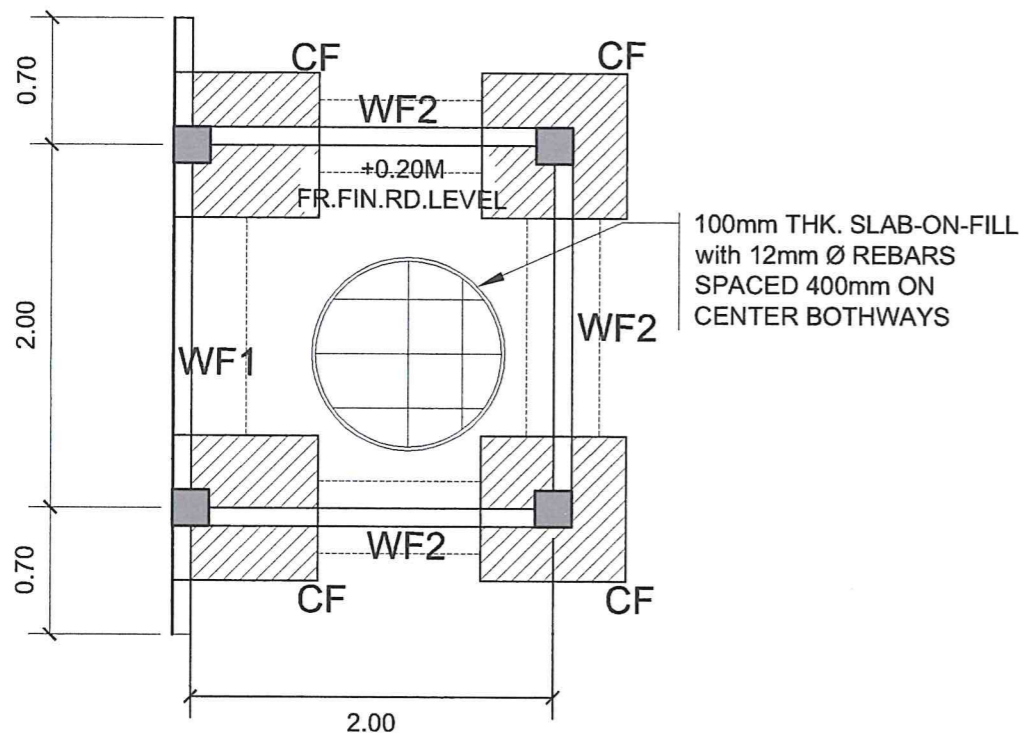
⊖ LEFTSIDE ELEVATION

SCALE 1 : 40 MTS.

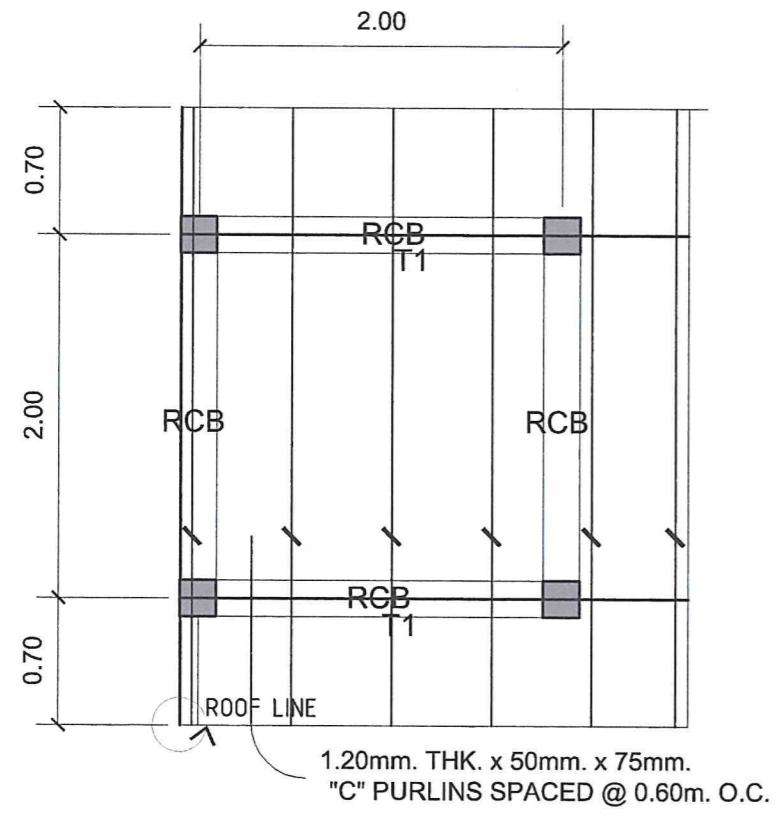


⊖ REAR ELEVATION

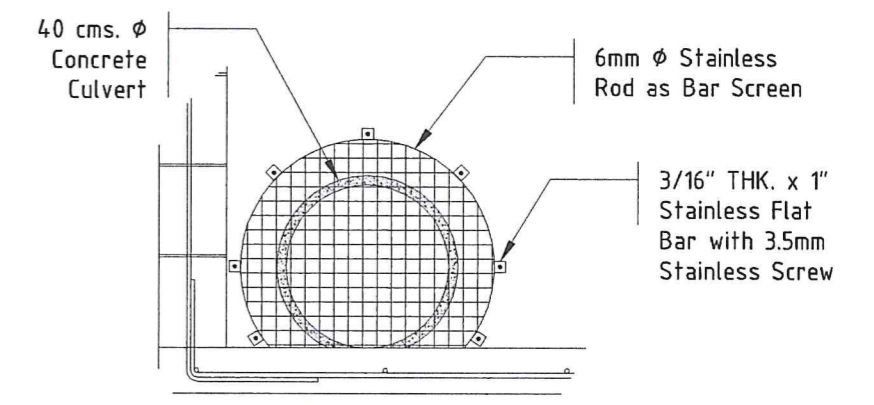
SCALE 1 : 40 MTS.



FOUNDATION PLAN (CHLORINATION HOUSE) SCALE 1 : 40 MTS.

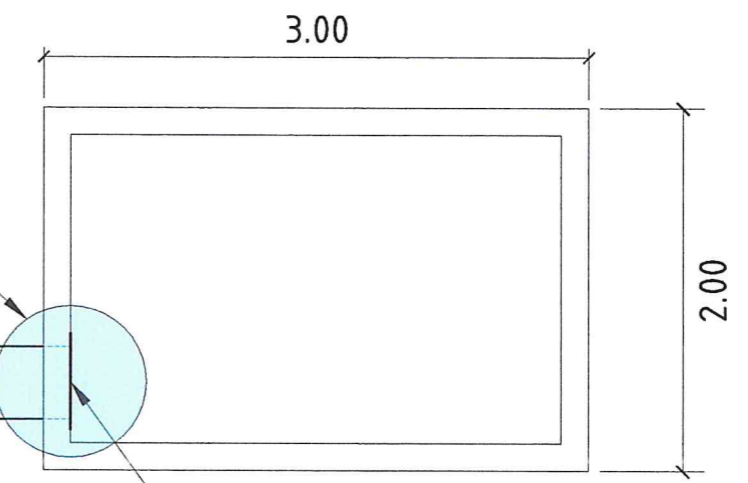


ROOF FRAMING PLAN (CHLORINATION HOUSE) SCALE 1 : 40 MTS.

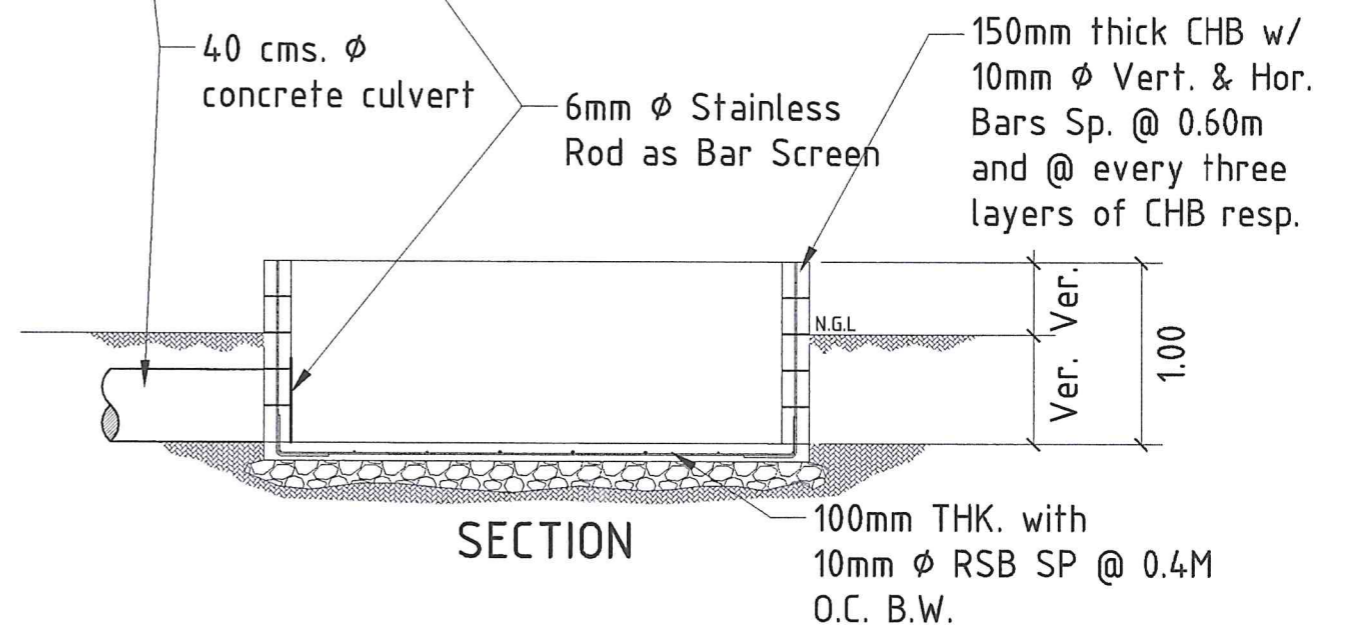


SPOT 2 DETAIL

See Spot 2 Detail



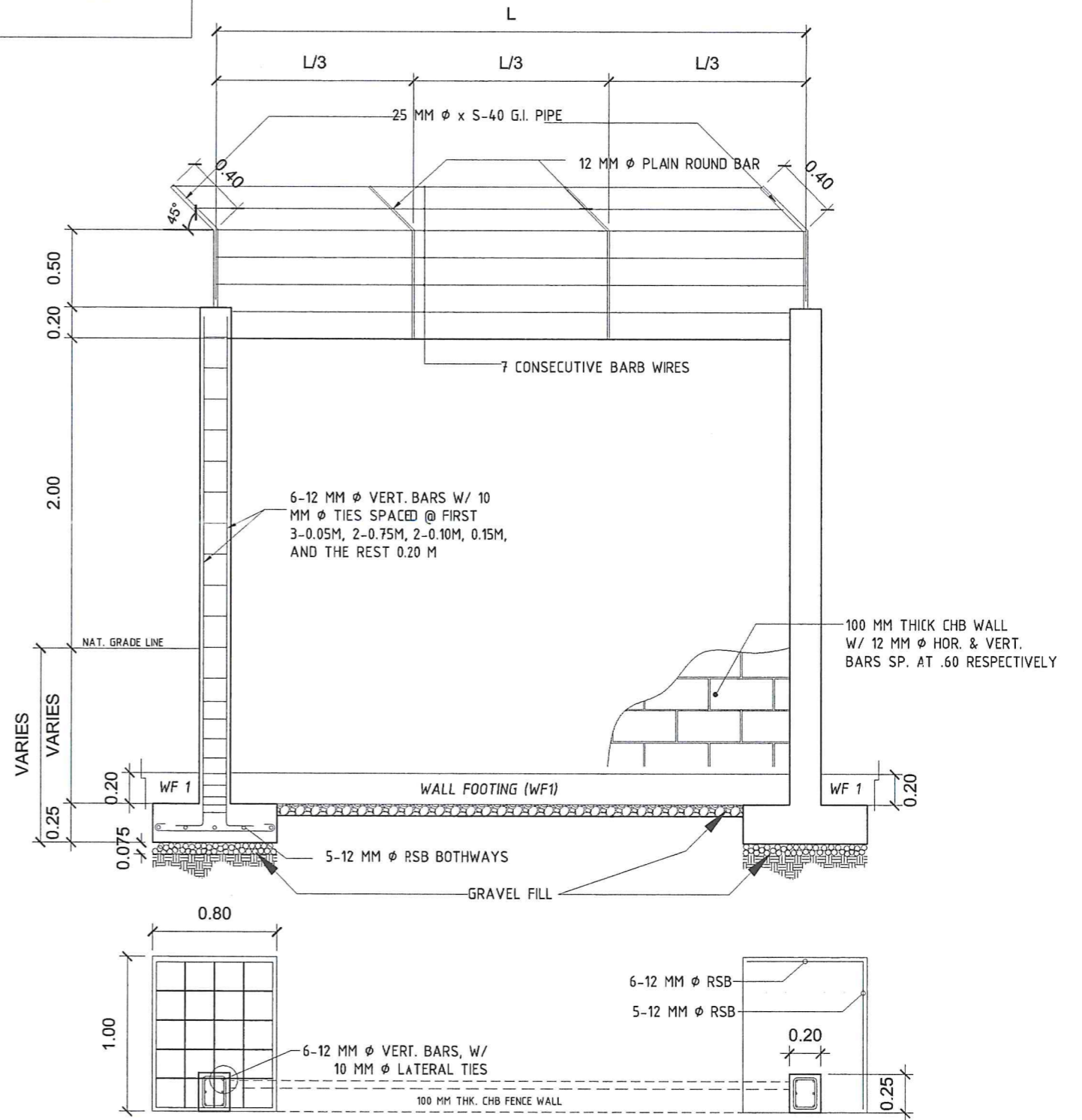
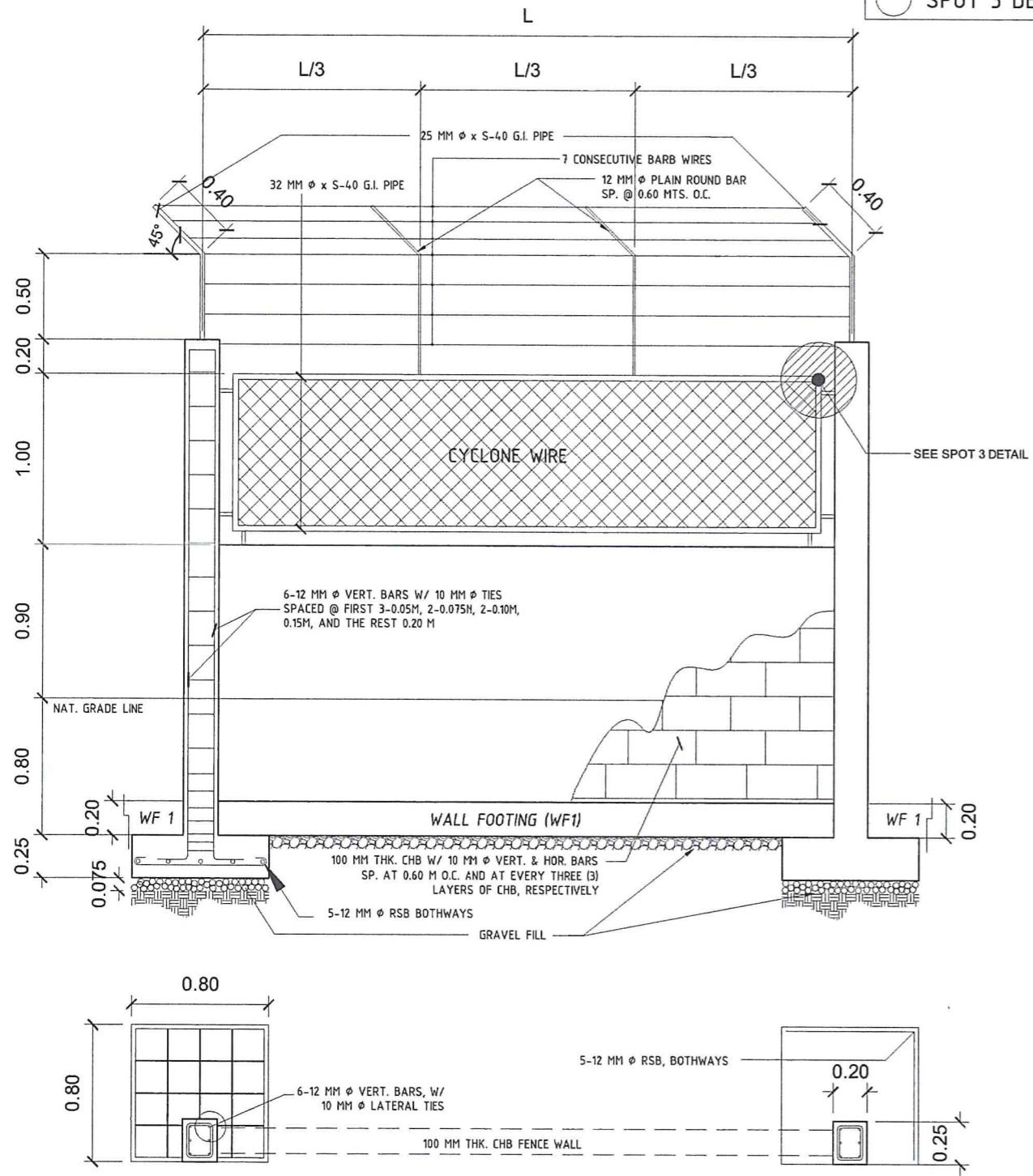
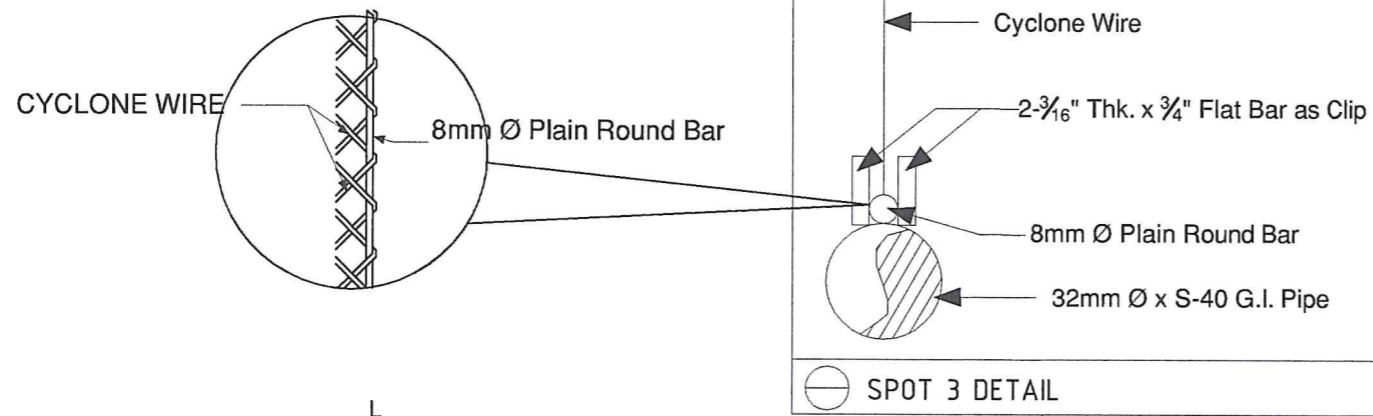
PLAN



SECTION

FLUSHING BOX DETAIL SCALE 1 : 40 MTS.

| | | | | | | | | |
|---|--|--|--------------------------------------|---------------------------------|---|--|--|---------------|
| <p>Republic of the Philippines METROPOLITAN NAGA WATER DISTRICT 40 J. Miranda Avenue, Naga City</p> | PREPARED BY: | CHECKED BY: | RECOMMENDING APPROVAL: | APPROVED : | PROJECT TITLE/LOCATION: | SHEET CONTENTS : | SHEET NO.: | |
| | SHARMAINE E. BRACIA OIC - Division Mgr., PDCD | SONJUN O. MULARES OIC - Dept. Mgr., EED | ARTURO MARCO OIC - Dept. Mgr., PD | ROQUE S. FRANCISCO AGM, O&TS | FLORENCIO T. MONGOSO JR. General Manager A | PROPOSED PACOL IV PUMPING STATION Barangay Pacol, Naga City | Foundation, and Roof Framing plan (Chlorination House) Flushing Box Detail | 8 |
| | | | | | | | | 17 |
| | | | | | | | CAD by: GDM | Date: 08-2024 |

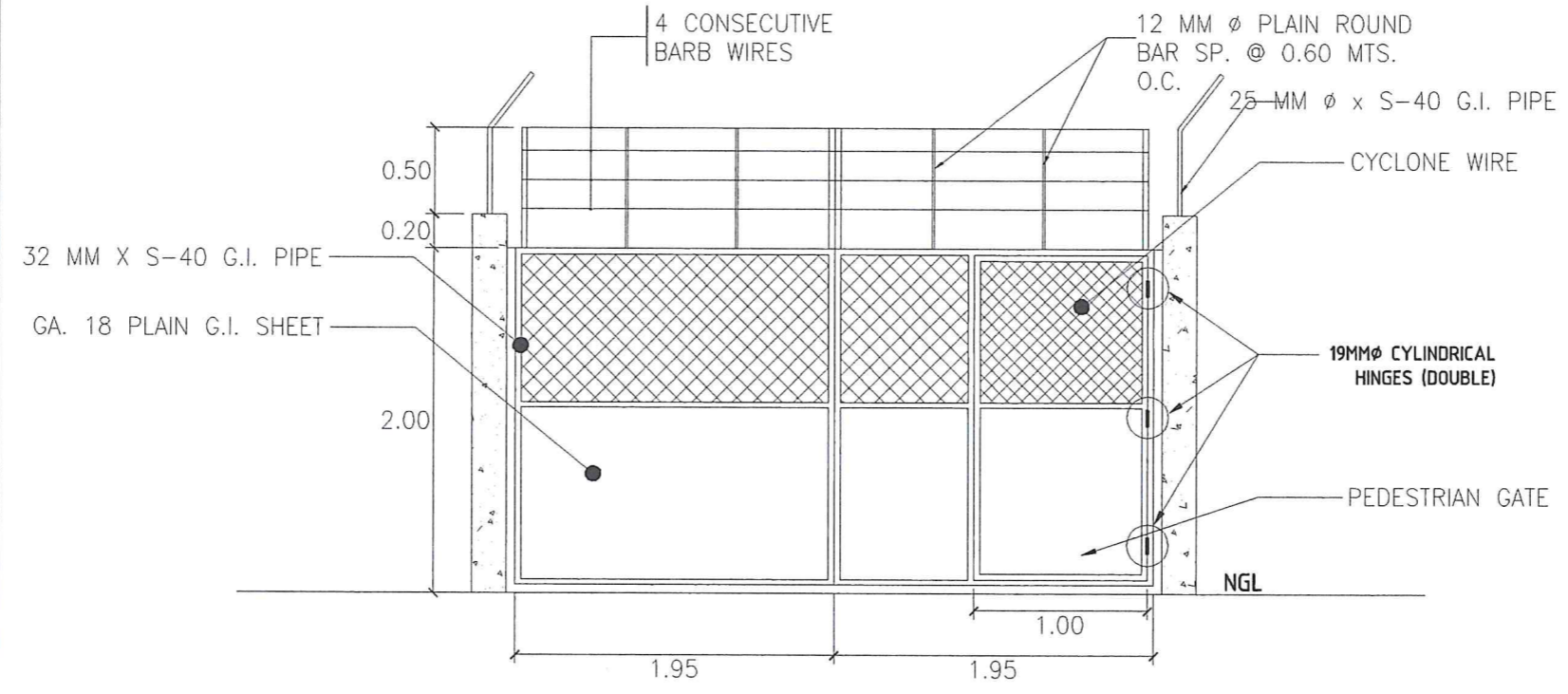


FRONT FENCE DETAILED SECTION

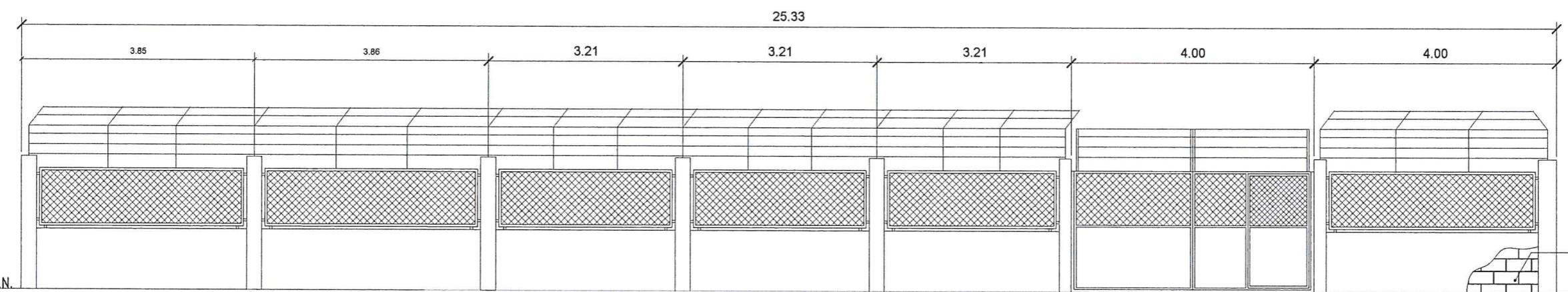
NOT TO SCALE

RIGHTSIDE, LEFTSIDE AND REAR DETAILED SECTION







NOT TO SCALE

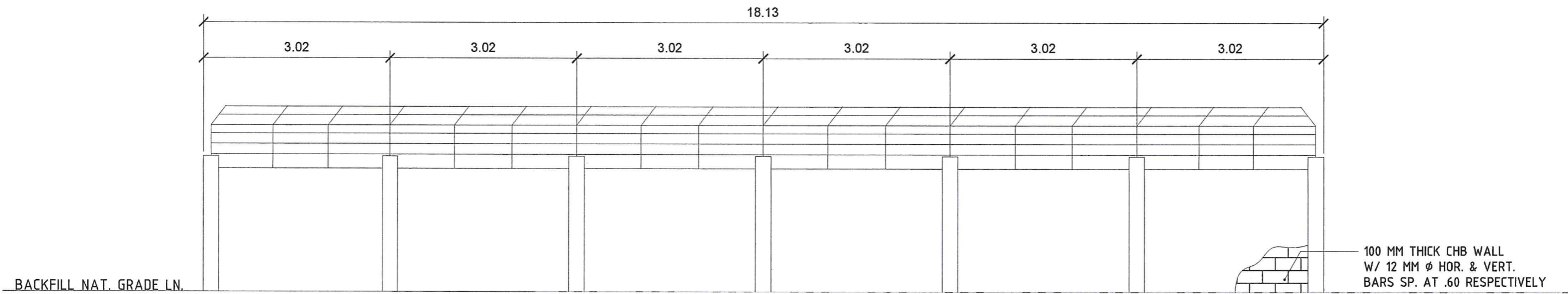


⊖ VEHICULAR AND PEDESTRIAN GATE DETAIL SCALE 1 : 40 MTS.



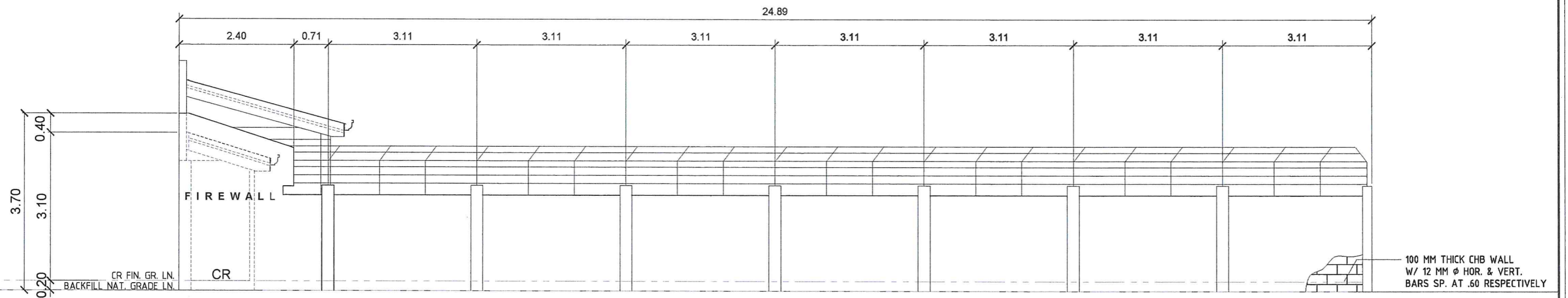
⊖ FRONT ELEVATION (PERIMETER FENCE GATE) NOT TO SCALE

| | | | | | | | | |
|---|--|--|--|--|--|--|--|--|
|  Republic of the Philippines METROPOLITAN NAGA WATER DISTRICT 40 J. Miranda Avenue, Naga City | PREPARED BY:  SHARMAINE E. BRACIA OIC - Division Mgr., PDCD | CHECKED BY:  SONJUN O. MILLARES OIC - Dept. Mgr., EED | RECOMMENDING APPROVAL:  ARTURO MARCO OIC - Dept. Mgr., PD | APPROVED:  ROQUE S. FRANCISCO AGM, O&TS | APPROVED:  FLORENCIO T. MONGOSO JR. General Manager A | PROJECT TITLE/LOCATION: PROPOSED PACOL IV PUMPING STATION Barangay Pacol, Naga City | SHEET CONTENTS : Vehicular and Pedestrian Gate Detail Front Elevation (Perimeter Fence Gate) | SHEET NO.: 10 / 17 Date: 06-2024 |
| | CAD by: GDM | | | | | | | |




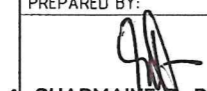

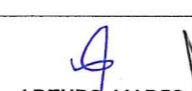
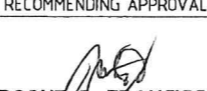
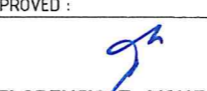
⊖ LEFTSIDE ELEVATION (PERIMETER FENCE)

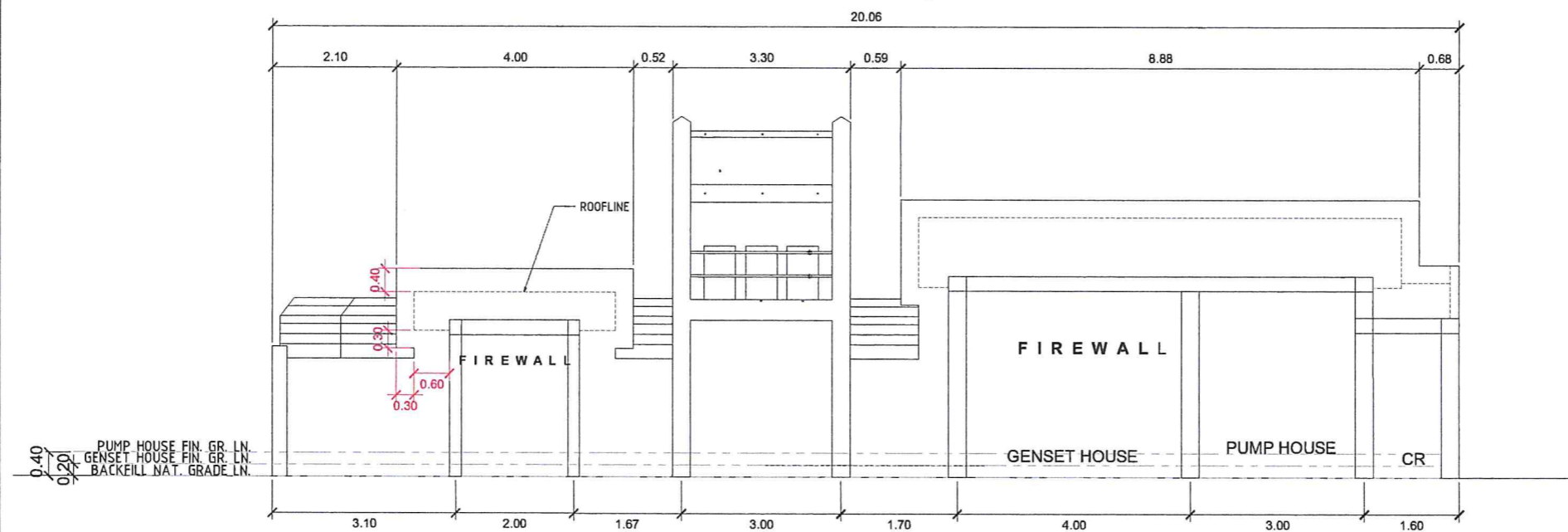
NOT TO SCALE



⊖ REAR ELEVATION (PERIMETER FENCE)

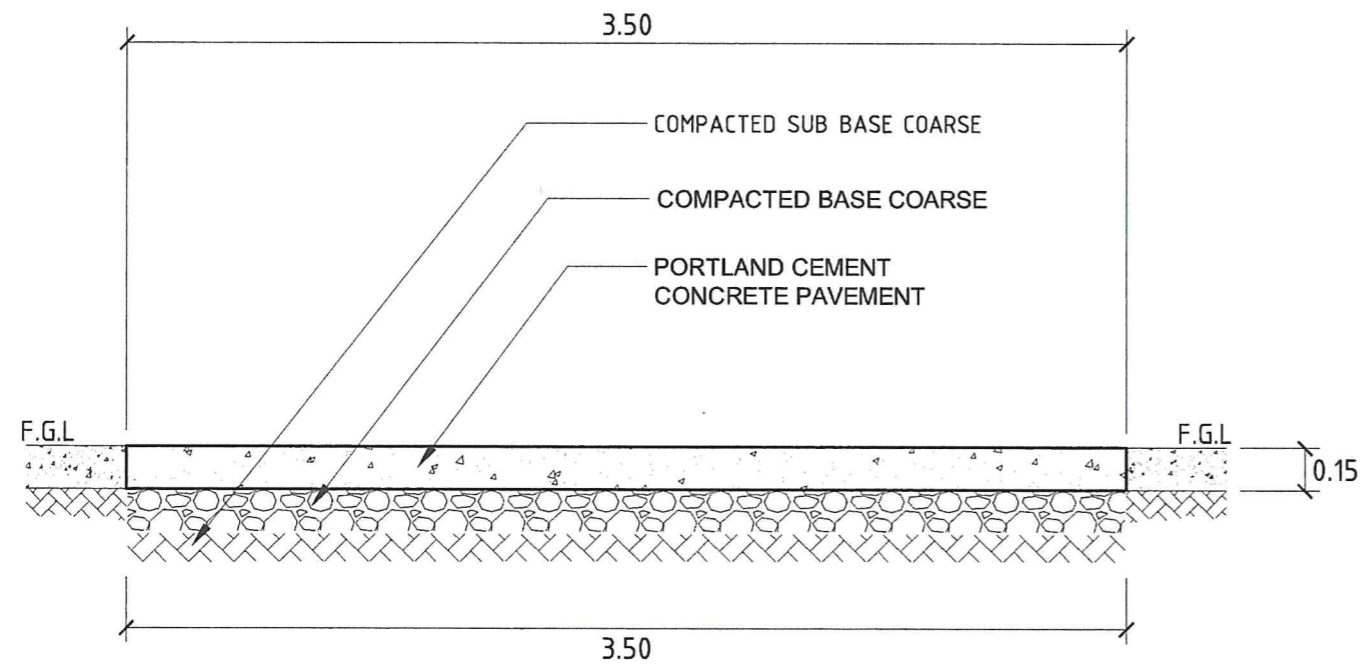
NOT TO SCALE

| | | | | | | | | |
|---|--|---|--|--|--|--|--|-----------------------|
|  <p>Republic of the Philippines METROPOLITAN NAGA WATER DISTRICT 40 J. Miranda Avenue, Naga City</p> | PREPARED BY:  SHARMAINE E. BRACIA OIC - Division Mgr., PDCD | CHECKED BY:  SONJUN O. MLLARES OIC - Dept. Mgr., EED | RECOMMENDING APPROVAL:  ARTURO MARCO OIC - Dept. Mgr., PD | APPROVED:  ROQUE S. FRANCISCO AGM, O&TS | APPROVED:  FLORENCIO T. MONGOSO JR. General Manager A | PROJECT TITLE/LOCATION: PROPOSED PACOL IV PUMPING STATION Barangay Pacol, Naga City | SHEET CONTENTS : Elevations (Perimeter Fence) | SHEET NO.: 11 / 17 |
| | CAD by: GDM | | | | | | | Date: 08-2024 |



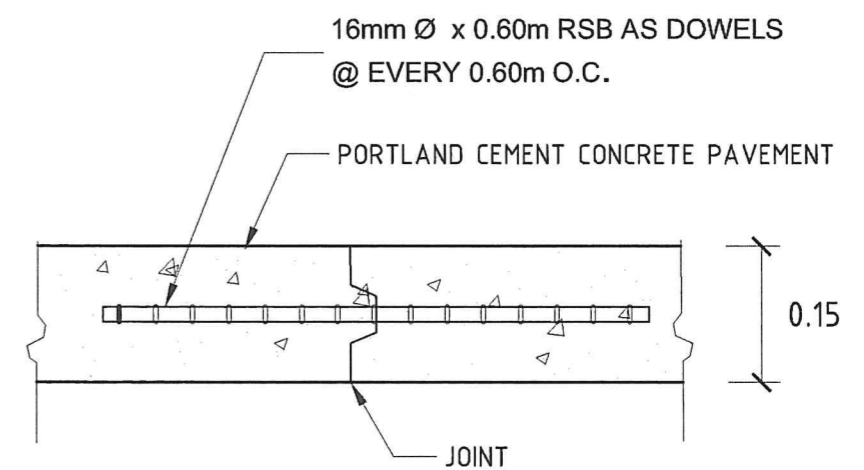
RIGHTSIDE ELEVATION (PERIMETER FENCE)

NOT TO SCALE



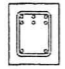

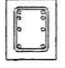


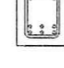
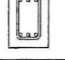
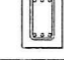
DETAIL OF PCCP

NOT TO SCALE

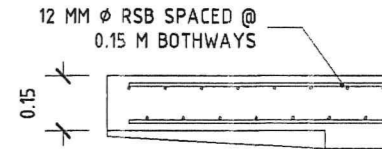


SPOT 1 DETAIL

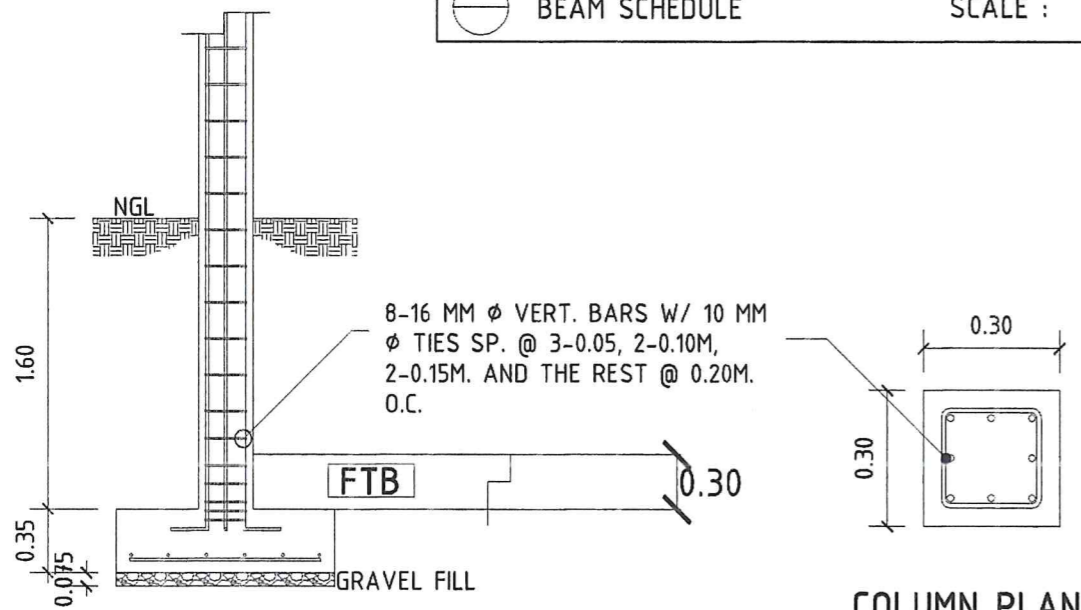
NOT TO SCALE

| | SIZE | REINFORCEMENTS | |
|------|-------------|---|--|
| | | AT SUPPORT | AT MIDSPAN |
| CB 1 | 0.25 x 0.30 |  6 - 16 MM ϕ RSB 2 - 16 MM ϕ RSB |  6 - 16 MM ϕ RSB 2 - 16 MM ϕ RSB |
| RB 1 | 0.25 x 0.30 |  4 - 16 MM ϕ RSB 2 - 12 MM ϕ RSB 2 - 16 MM ϕ RSB |  2 - 16 MM ϕ RSB 2 - 12 MM ϕ RSB 5 - 16 MM ϕ RSB |
| RB 2 | 0.25 x 0.30 |  4 - 16 MM ϕ RSB 2 - 16 MM ϕ RSB |  2 - 16 MM ϕ RSB 6 - 16 MM ϕ RSB |
| FTB | 0.20 x 0.30 |  3 - 16 MM ϕ RSB 3 - 16 MM ϕ RSB |  3 - 16 MM ϕ RSB 3 - 16 MM ϕ RSB |

BEAM SCHEDULE SCALE : 1 : 30 MTS.

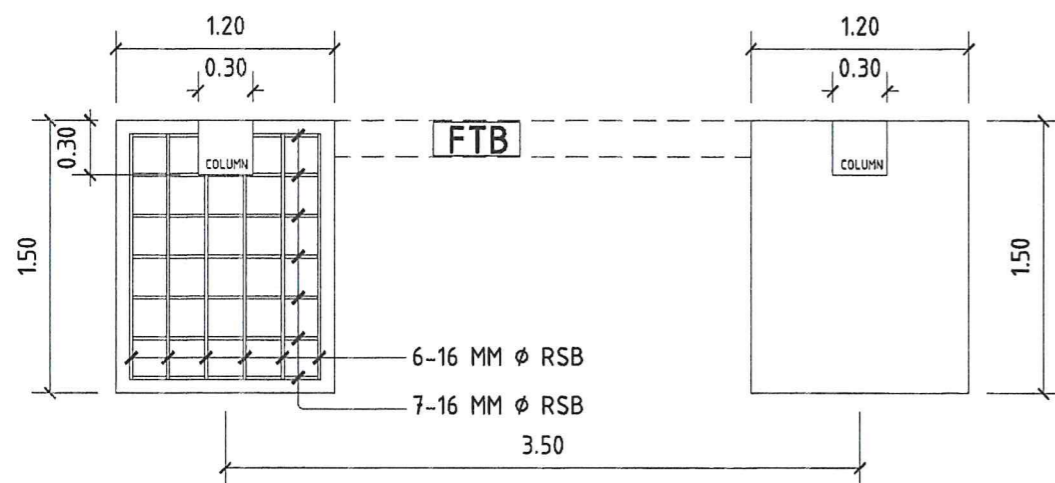


SLAB DETAILS SCALE : 1 : 20 MTS.

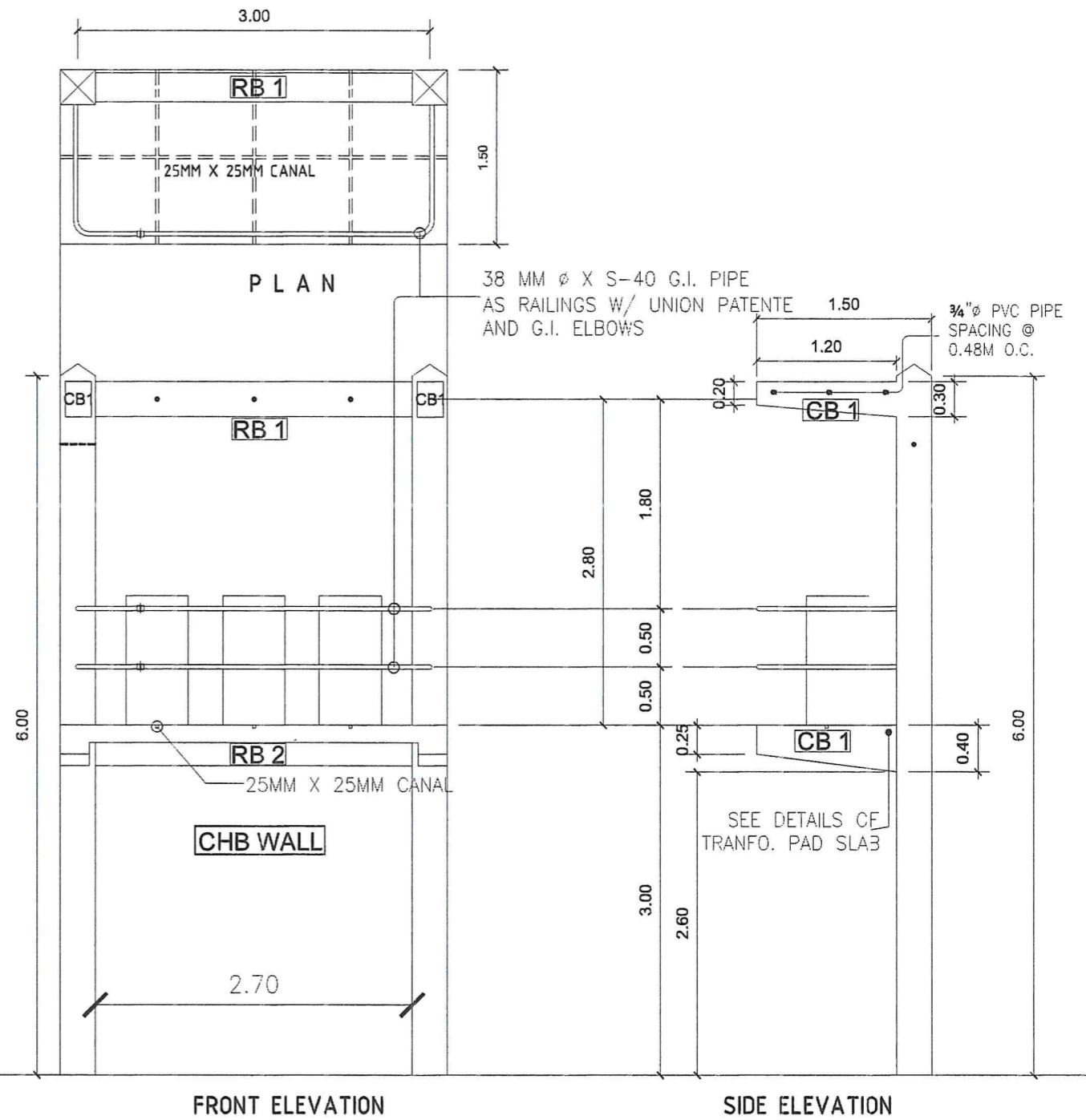


COLUMN FOOTING SECTION

COLUMN PLAN



COLUMN FOOTING PLAN

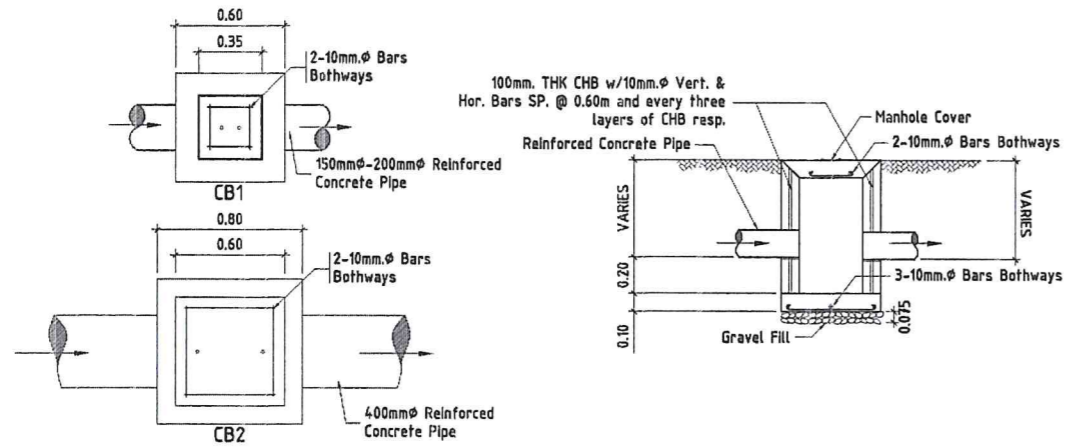


FRONT ELEVATION

SIDE ELEVATION

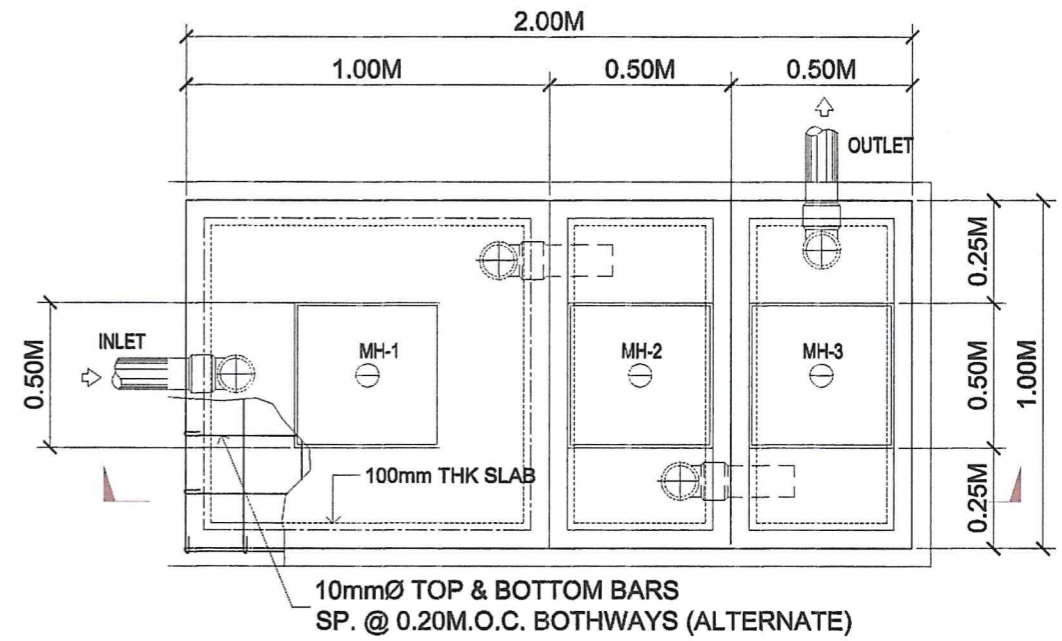
TRANSFORMER FOUNDATION DETAILS SCALE : 1 : 40 MTS.

TRANSFORMER PAD ELEVATION SCALE : 1 : 50 MTS.

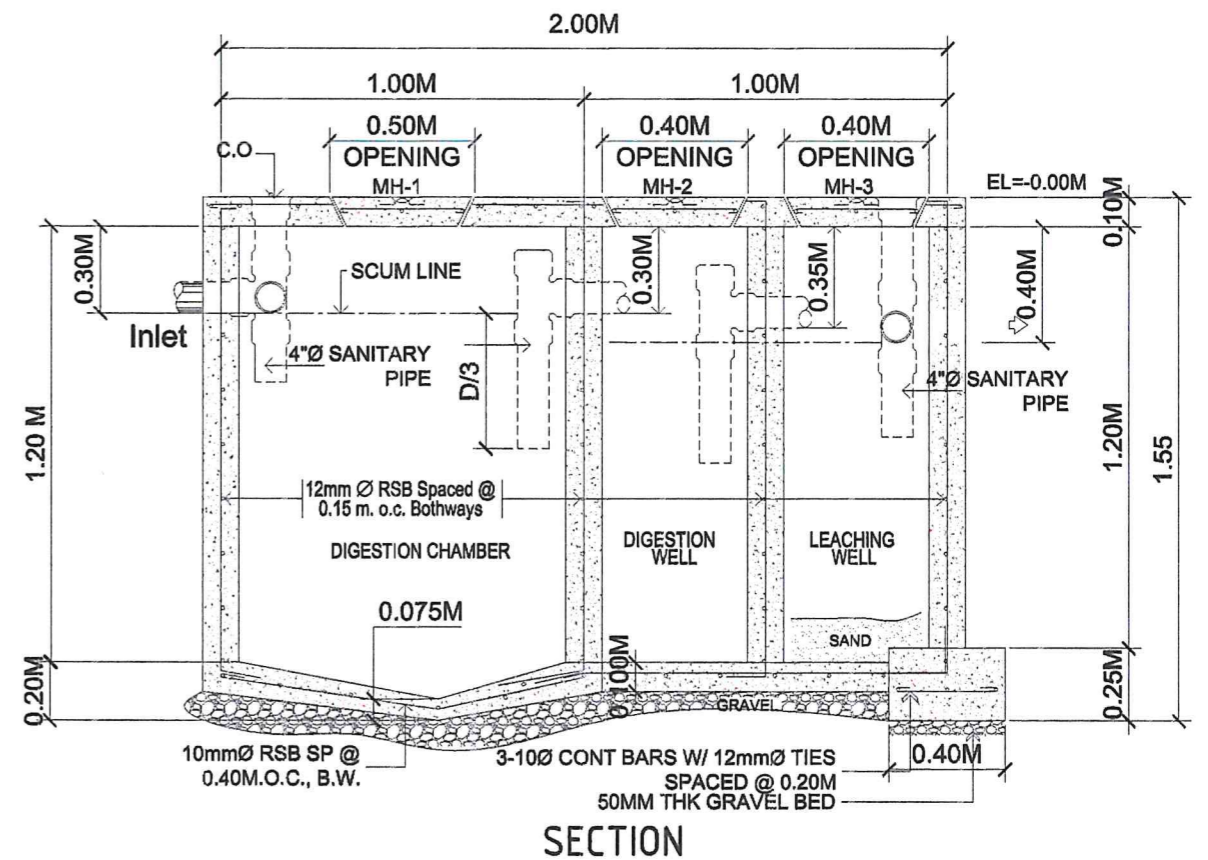


CATCH BASIN DETAIL

NOT TO SCALE



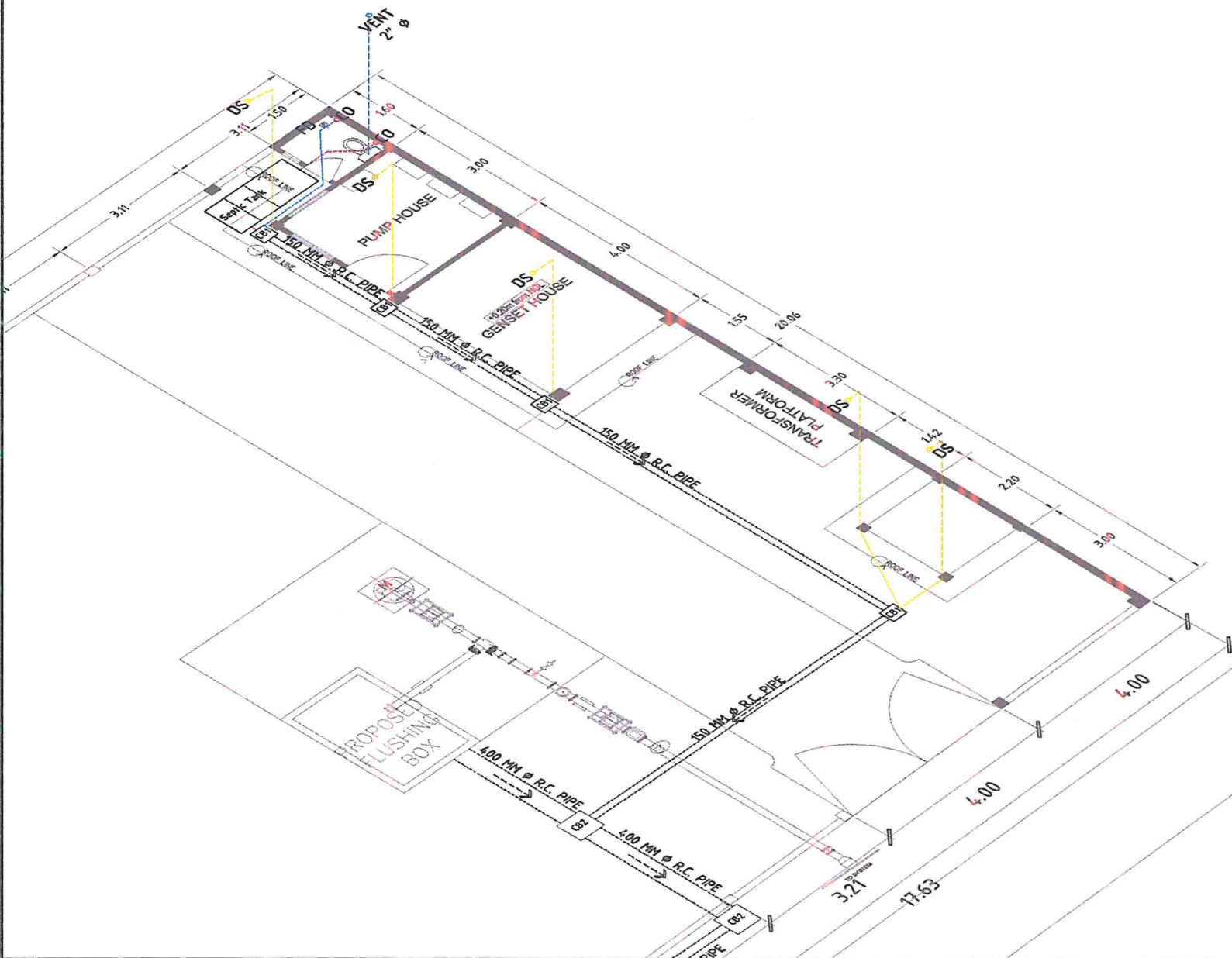
PLAN



SECTION

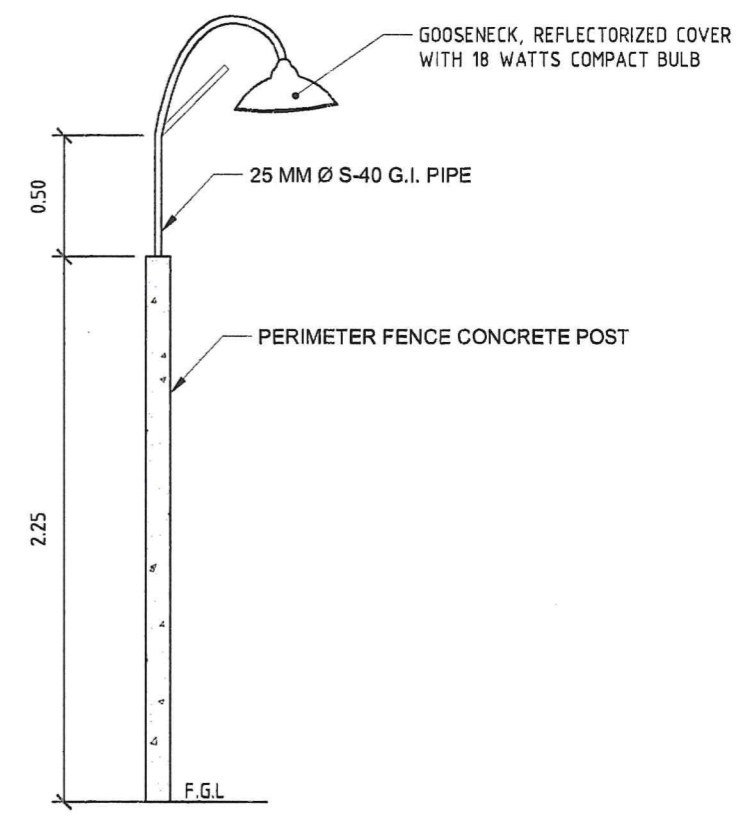
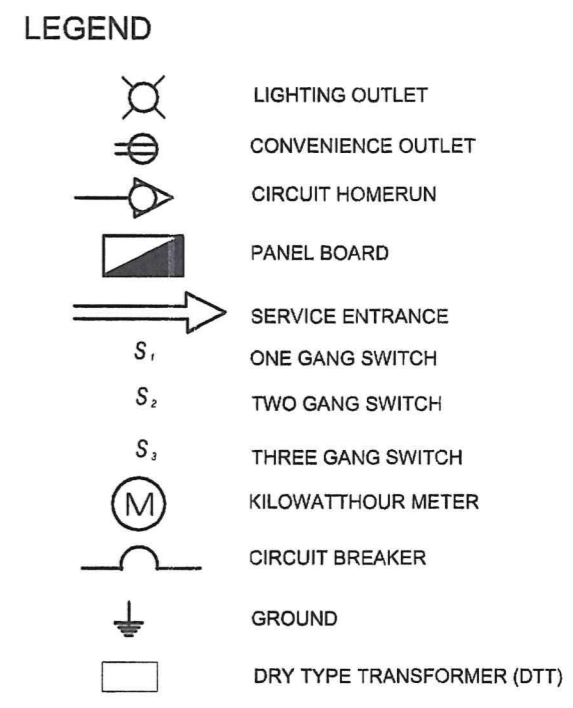
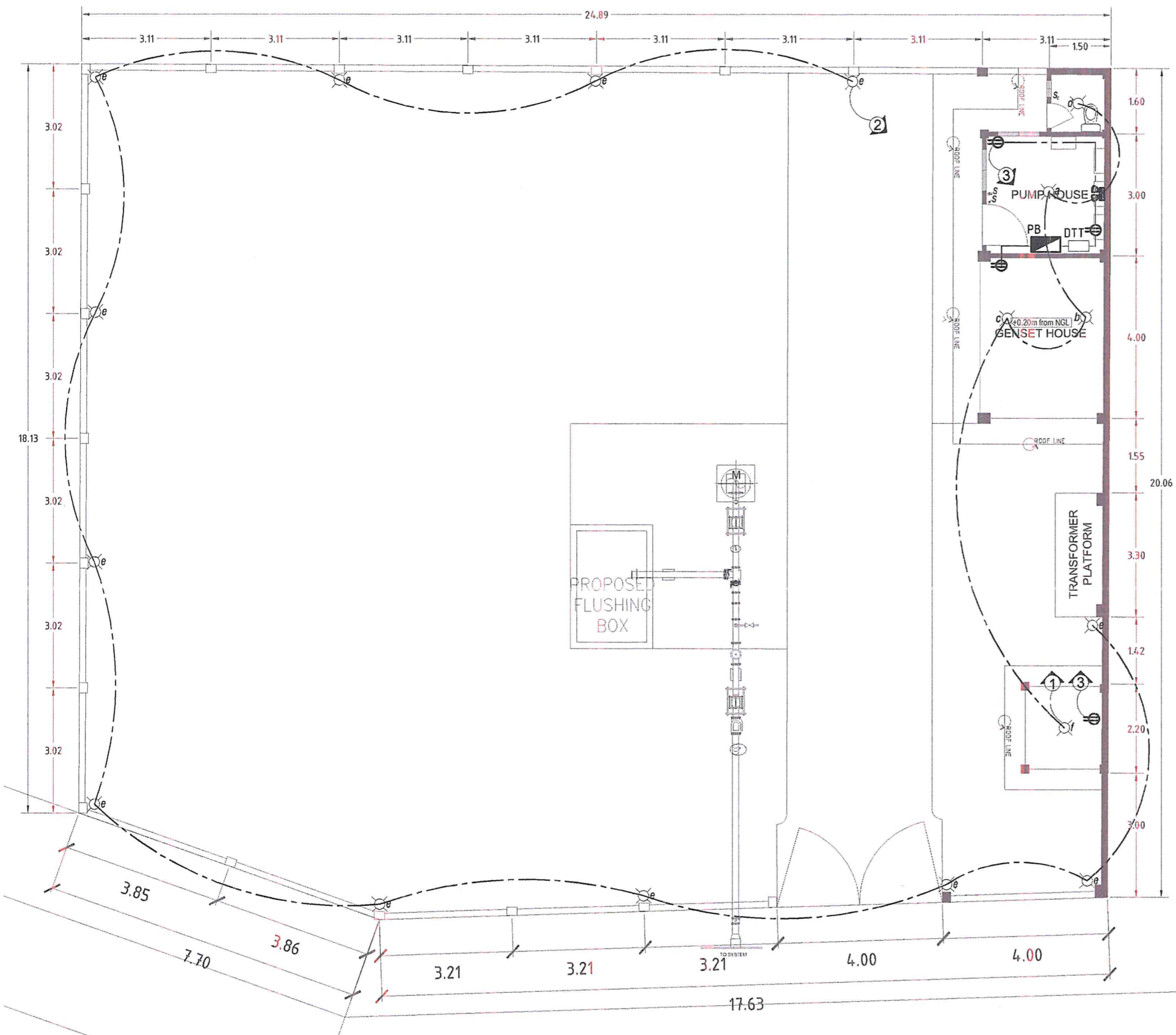
SEPTIC TANK DETAIL

SCALE 1 : 100 MTS.



ISOMETRIC VIEW

NOT TO SCALE



ELECTRICAL LIGHTING AND POWER LAYOUT

SCALE 1 : 100 MTS.

DETAIL OF PERIMETER LIGHTS NTS

| | | | | | | | | |
|---|--|---|--|--|---|---|--|----------|
| <p>Republic of the Philippines METROPOLITAN NAGA WATER DISTRICT 40 J. Miranda Avenue, Naga City</p> | PREPARED BY: | CHECKED BY: | RECOMMENDING APPROVAL: | APPROVED : | PROJECT TITLE/LOCATION: | SHEET CONTENTS : | SHEET NO.: | |
| | SHARMAINE E. BRACIA OIC - Division Mgr., PDCD | SONJUN O. MILLARES OIC - Dept. Mgr., EED | ARTURO MARCO OIC - Dept. Mgr., PD | ROQUE S. FRANCISCO Asst. Mgr., E&TS | FLORENCIO T. MONGOSO JR. General Manager A | PROPOSED PACOL IV PUMPING STATION Barangay Pacol, Naga City | Electrical Lighting and Power Layout Detail of Perimeter Lights | 16 17 |
| | | | | | | CAD by: GDM | Date: 08-2024 | |

SCHEDULE OF LOADS

| CIRCUIT NO. | LOAD DESCRIPTION | NO. OF | | | SWITCHES | | | VOLT | VA | AMP | CIRCUIT BREAKER RATINGS | SIZE OF WIRE | SIZE OF CONDUIT |
|-------------|-----------------------------------|--------|------|-----|----------|----|----|------|------|-------|-------------------------|--|------------------|
| | | L.O. | C.O. | SPO | S1 | S2 | S3 | | | | | | |
| 1 | LIGHTING LOADS + E. LIGHTS | 6 | | | 2 | 1 | 1 | 230 | 600 | 2.61 | 15AT, 2P, 50AF (AFCI) | 2C - 2.0 mm ² THHN COPPER WIRE 1C - 2.0 mm ² THHN COPPER WIRE | 20 mm Ø PVC PIPE |
| 2 | LIGHTING LOADS (PERIMETER LIGHTS) | 12 | | | 1 | | | 230 | 1200 | 5.22 | 15AT, 2P, 50AF (AFCI) | 2C - 2.0 mm ² THHN COPPER WIRE 1C - 2.0 mm ² THHN COPPER WIRE | 20 mm Ø PVC PIPE |
| 3 | CONVENIENCE OUTLET | | 4 | | | | | 230 | 720 | 3.13 | 20AT, 2P, 50AF (GFCI) | 2C - 3.5 mm ² THHN COPPER WIRE 1C - 3.5 mm ² THHN COPPER WIRE | 20 mm Ø PVC PIPE |
| 4 | SPARE | | | | | | | 230 | 1000 | 4.35 | 20AT, 2P, 50AF (GFCI) | 2C - 3.5 mm THHN COPPER WIRE 1C - 3.5 mm THHN COPPER WIRE | 20 mm Ø PVC PIPE |
| TOTAL | | 18 | 4 | | 2 | 1 | 1 | 230 | 3520 | 15.31 | 50AT, 2P, 50AF | 2C - 8.0 mm ² THHN COPPER WIRE + 1C-5.5 mm ² THHN COPPER WIRE | 32 mm Ø PVC PIPE |

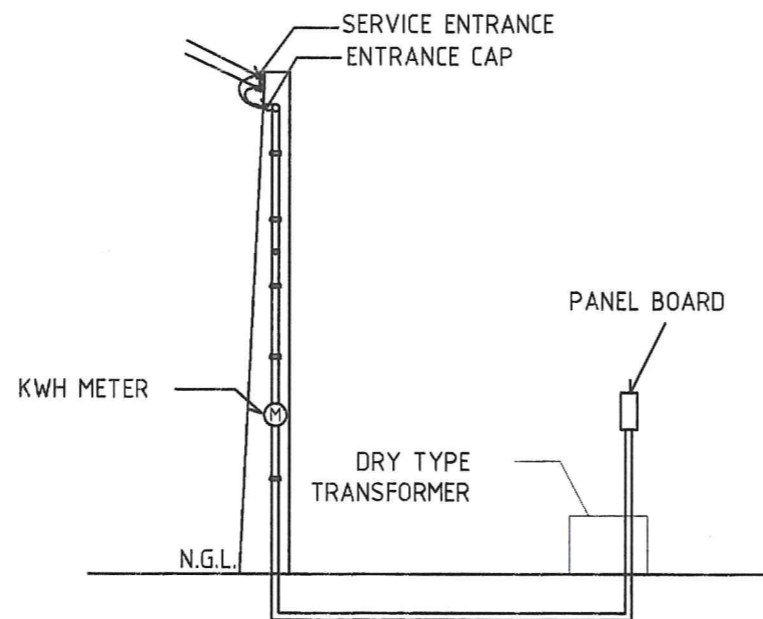
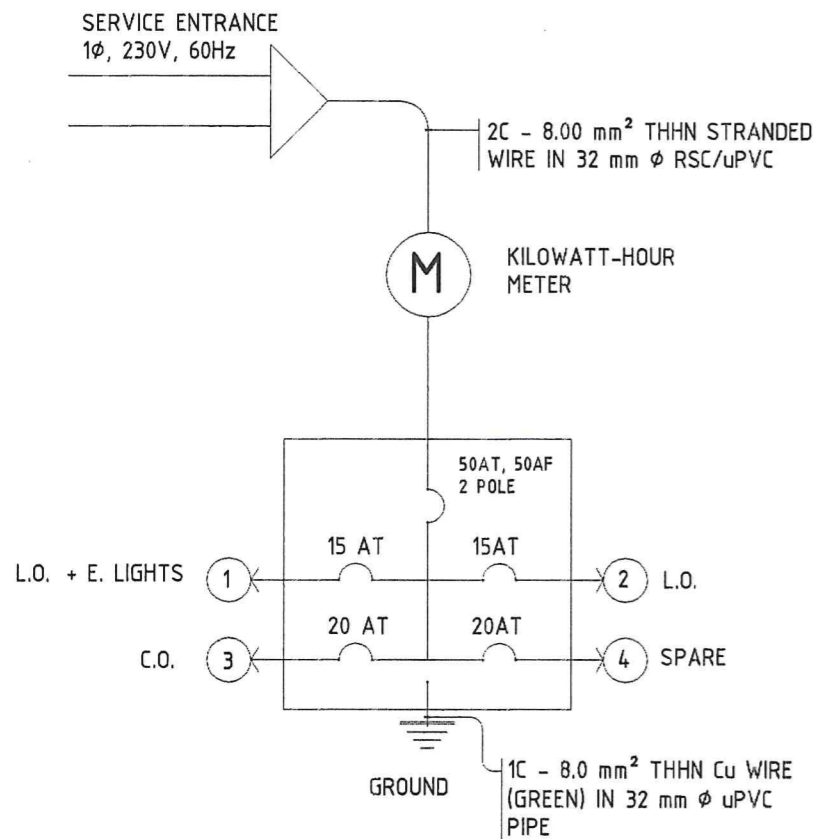
COMPUTATIONS:

$$I_T = \frac{3520 \text{ V.A.} \times 100\% \text{ D.F.}}{230 \text{ V}}$$

$$I_T = 15.31 \text{ AMPS.}$$

RECOMMENDATIONS:

Use 50 AT/50 AF, 2P, 230V, 60 Hz, Circuit Breaker for Main Protection and 2C - 8.0 mm² THHN Cu Wire + 1C-5.5 mm² THHN Cu Wire in 32 mmØ uPVC Pipe



SERVICE ENTRANCE DETAIL

GENERAL NOTES AND SPECIFICATIONS:

1. ALL WORKS HEREIN SHALL CONFORM WITH THE PROVISIONS OF THE LATEST EDITION OF THE PHILIPPINE ELECTRICAL CODE, THE LABOR AND SAFETY CODE AND ALL THE REQUIREMENTS OF LOCAL UTILITY COMPANY.
2. POWER SUPPLY TO BE INSTALLED SHALL BE SINGLE PHASE, TWO-WIRES, 230 VOLTS, 60 Hz.
3. MINIMUM SIZE OF WIRE TO BE USED WHEN NOT INDICATED SHALL BE 20 MM² THHN FOR SWITCH LEGS AND 3.5 MM THHN FOR ALL CIRCUIT RUNS.
4. ALL SWITCHES SHALL BE INSTALLED 150M AND ALL OUTLETS AT 0.30M FROM FINISHED FLOOR LEVEL AND POWER PANEL. SAFETY SWITCH SHALL BE 1.80M, KILOWATT HOUR METERS SHALL BE 1.75 FROM FLOOR LEVEL.
5. ALL ELECTRICAL WORKS HEREIN SHALL BE SUPERVISED BY LICENSED ELECTRICAL ENGINEER AND MASTER ELECTRICIAN.

⊕ RISER DIAGRAM

NOT TO SCALE

⊕ SERVICE ENTRANCE DETAIL

NOT TO SCALE